



VOLANTINI DI BLOCCAGGIO

LOCKING KNOBS

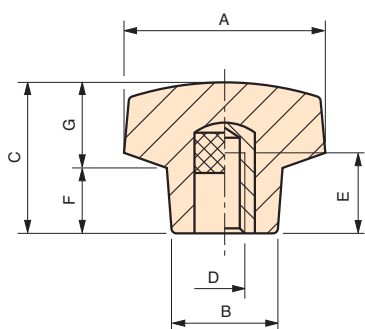
VOLANTS DE SERRAGE



VB

Volantino a sei lobi Six lobe-knob

Petit volant à six lobes



Bussola ottone e foro cieco filettato.
Brass insert with tapped blind hole.
Insert en laiton borgne taraudé.

cod.	modello	A	B	C	D	E	F	G	Peso gr.
6113005	VB/20	20	13	15	M 4	9	7	8	5
6113010	VB/20	20	13	15	M 5	9	7	8	5
6113015	VB/20	20	13	15	M 6	9	7	8	5
6113020	VB/30	30	17	24	M 5	9	11	13	14
6113025	VB/30	30	17	24	M 6	9	11	13	15
6113030	VB/30	30	17	24	M 8	15	11	13	17
6113037	VB/40	40	21	28	M 6	13	12	16	35
6113042	VB/40	40	21	28	M 8	15	12	16	34
6113047	VB/40	40	21	28	M 10	16	12	16	36
6113052	VB/50	50	25	33	M 8	15	13	20	54
6113057	VB/50	50	25	33	M 10	16	13	20	56
6113062	VB/50	50	25	33	M 12	18	13	20	58

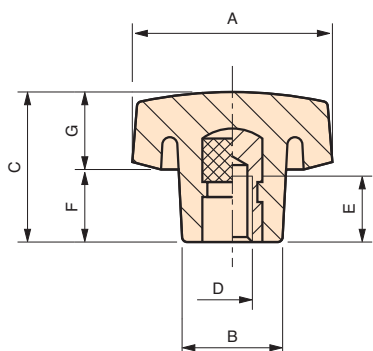
NOTE: Si forniscono, per quantità adeguate, in colori diversi e con inserti a misura in acciaio, in ottone, in acciaio inox.

Materiale: Duroplasto nero.
Black phenolic plastic.
Duroplast noir.

VB

Volantino a sei lobi Six lobe-knob

Petit volant à six lobes



Bussola ottone e foro cieco filettato.
Brass insert with tapped blind hole.

Insert en laiton borgne taraudé.

cod.	modello	A	B	C	D	E	F	G	Peso gr.
6113035	VB/40	40	21	28	M 6	13	13	15	26
6113040	VB/40	40	21	28	M 8	15	13	15	30
6113041	VB/40	40	21	28	∅ 8	-	13	15	30
6113045	VB/40	40	21	28	M 10	16	13	15	31
6113050	VB/50	50	25	33	M 8	15	15	18	48
6113055	VB/50	50	25	33	M 10	16	15	18	49
6113060	VB/50	50	25	33	M 12	18	15	18	50
6113065	VB/60	60	28	35	M 8	15	15	20	67
6113070	VB/60	60	28	35	M 10	16	15	20	68
6113075	VB/60	60	28	35	M 12	18	15	20	70
6113080	VB/60	60	28	35	M 14	20	15	20	75
6113085	VB/60	60	28	35	M 16	20	15	20	77
6113090	VB/70	70	32	42	M 10	16	21	21	92
6113095	VB/70	70	32	42	M 12	18	21	21	95
6113100	VB/70	70	32	42	M 14	20	21	21	100
6113105	VB/70	70	32	42	M 16	20	21	21	102
6113110	VB/70	70	32	42	∅ 6	-	21	21	90
6113115	VB/70	70	32	42	∅ 8	-	21	21	92
6113120	VB/90	90	42	55	M 12	18	26	29	202
6113125	VB/90	90	42	55	M 14	20	26	29	201
6113130	VB/90	90	42	55	M 16	20	26	29	201
6113135	VB/90	90	42	55	M 18	20	26	29	217

NOTE: Si forniscono, per quantità adeguate, in colori diversi e con inserti a misura in acciaio, in ottone, in acciaio inox.

Materiale: Duroplasto nero.
Black phenolic plastic.
Duroplast noir.

VB/FP

Volantino a sei lobi Six lobe-knob

Petit volant à six lobes

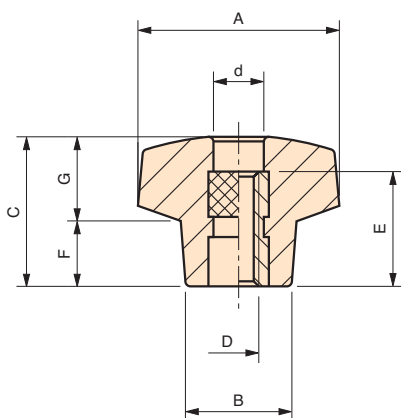


Bussola ottone foro passante filettato.
Brass insert with tapped through hole.
Insert en laiton traversant taraudé.

cod.	modello	A	B	C	D	E	F	G	d	Peso gr.
6114002	VB/20/FP	20	13	15	M4	11	7	8	7,5	6
6114003	VB/20/FP	20	13	15	M5	11	7	8	7,5	7
6114005	VB/20/FP	20	13	15	M6	11	7	8	7,5	10
6114010	VB/30/FP	30	17	24	M5	15	11	12,5	9	15
6114015	VB/30/FP	30	17	24	M6	15	11	12,5	9	16
6114020	VB/30/FP	30	17	24	M8	15	11	12,5	9	17

NOTE: Si forniscono, per quantità adeguate, in colori diversi e con inserti a misura in acciaio, in ottone, in acciaio inox.

Materiale: Duroplasto nero.
Black phenolic plastic.
Duroplast noir.



VB/FP

Volantino a sei lobi Six lobe-knob

Petit volant à six lobes

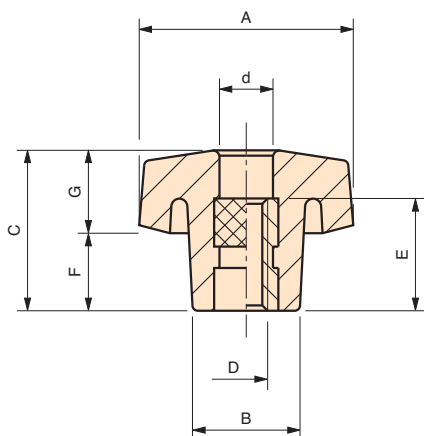


Bussola ottone foro passante filettato.
Brass insert with tapped through hole.
Insert en laiton traversant taraudé.

cod.	modello	A	B	C	D	E	F	G	d	Peso gr.
6114025	VB/40/FP	40	21	28	M 6	18	13	15	11	28
6114030	VB/40/FP	40	21	28	M 8	18	13	15	11	29
6114035	VB/40/FP	40	21	28	M 10	18	13	15	11	31
6114040	VB/50/FP	50	25	33	M 8	18	15	18	13	43
6114045	VB/50/FP	50	25	33	M 10	18	15	18	13	45
6114050	VB/50/FP	50	25	33	M 12	18	15	18	13	47
6114055	VB/60/FP	60	28	35	M 10	25	15	20	11	70
6114060	VB/60/FP	60	28	35	M 12	25	15	20	13	70
6114065	VB/60/FP	60	28	35	M 14	25	15	20	15	70
6114070	VB/60/FP	60	28	35	M 16	25	15	20	17	68
6114075	VB/70/FP	70	32	42	M 10	25	21	21	11	92
6114080	VB/70/FP	70	32	42	M 12	25	21	21	13	96
6114085	VB/70/FP	70	32	42	M 14	25	21	21	15	94
6114090	VB/70/FP	70	32	42	M 16	25	21	21	17	93

NOTE: Si forniscono, per quantità adeguate, in colori diversi e con inserti a misura in acciaio, in ottone, in acciaio inox.

Materiale: Duroplasto nero.
Black phenolic plastic.
Duroplast noir.



VP

Volantino a sei lobi Six lobe-knob

Petit volant à six lobes

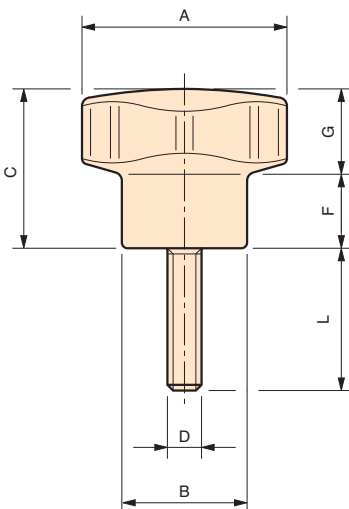


Perno in acciaio zincato filettato.
Threaded zinc plated steel stud.
Tige filetée en acier zingué.

cod.	modello	A	B	C	F	G	D	L	Peso gr.
6112005	VP/20	20	13	15	7	8	M4	10	5
6112010	VP/20	20	13	15	7	8	M4	15	5
6112015	VP/20	20	13	15	7	8	M4	25	6
6112020	VP/20	20	13	15	7	8	M5	10	6
6112025	VP/20	20	13	15	7	8	M5	15	7
6112030	VP/20	20	13	15	7	8	M5	20	8
6112035	VP/20	20	13	15	7	8	M5	25	8
6112040	VP/20	20	13	15	7	8	M6	10	7
6112045	VP/20	20	13	15	7	8	M6	15	8
6112050	VP/20	20	13	15	7	8	M6	20	9
6112055	VP/20	20	13	15	7	8	M6	25	11
6112060	VP/20	20	13	15	7	8	M6	35	12
6112065	VP/30	30	17	24	11	13	M5	10	11
6112070	VP/30	30	17	24	11	13	M5	20	17
6112075	VP/30	30	17	24	11	13	M6	10	16
6112080	VP/30	30	17	24	11	13	M6	15	18
6112085	VP/30	30	17	24	11	13	M6	20	20
6112090	VP/30	30	17	24	11	13	M6	25	21
6112095	VP/30	30	17	24	11	13	M6	30	22
6112100	VP/30	30	17	24	11	13	M6	35	23
6112105	VP/30	30	17	24	11	13	M6	40	24
6112110	VP/30	30	17	24	11	13	M8	15	23
6112115	VP/30	30	17	24	11	13	M8	20	25
6112120	VP/30	30	17	24	11	13	M8	25	26
6112121	VP/30	30	17	24	11	13	M8	30	27
6112125	VP/30	30	17	24	11	13	M8	35	30
6112130	VP/30	30	17	24	11	13	M8	45	33
6112135	VP/30	30	17	24	11	13	M8	60	37

NOTE: Si forniscono, per quantità adeguate, in colori diversi e con inserti a misura in acciaio, in ottone, in acciaio inox.

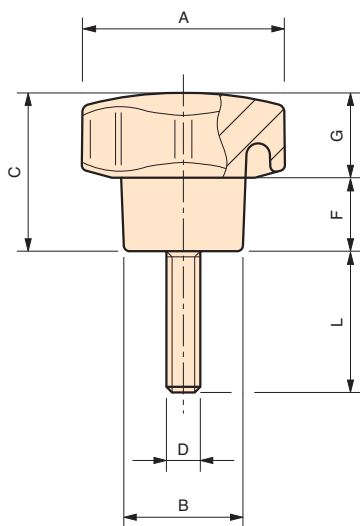
Materiale: Duroplasto nero.
Black phenolic plastic.
Duroplast noir.



VP

Volantino a sei lobi Six lobe-knob

Petit volant à six lobes



Perno in acciaio zincato filettato.
Threaded zinc plated steel stud.

Tige filetée en acier zingué.

cod.	modello	A	B	C	F	G	D	L	Peso gr.
6112140	VP/40	40	21	28	13	15	M 6	20	33
6112145	VP/40	40	21	28	13	15	M 6	25	34
6112147	VP/40	40	21	28	13	15	M 6	30	35
6112150	VP/40	40	21	28	13	15	M 6	40	37
6112155	VP/40	40	21	28	13	15	M 8	10	32
6112160	VP/40	40	21	28	13	15	M 8	15	36
6112165	VP/40	40	21	28	13	15	M 8	20	38
6112170	VP/40	40	21	28	13	15	M 8	25	39
6112175	VP/40	40	21	28	13	15	M 8	30	40
6112180	VP/40	40	21	28	13	15	M 8	35	42
6112185	VP/40	40	21	28	13	15	M 8	40	44
6112190	VP/40	40	21	28	13	15	M 8	50	46
6112195	VP/40	40	21	28	13	15	M 8	60	51
6112205	VP/40	40	21	28	13	15	M 8	70	55
6112210	VP/40	40	21	28	13	15	M10	20	45
6112215	VP/40	40	21	28	13	15	M10	30	50
6112220	VP/40	40	21	28	13	15	M10	50	60
6112225	VP/40	40	21	28	13	15	M10	70	70
6112230	VP/50	50	25	33	15	18	M 8	15	51
6112235	VP/50	50	25	33	15	18	M 8	20	52
6112240	VP/50	50	25	33	15	18	M 8	25	55
6112245	VP/50	50	25	33	15	18	M 8	30	56
6112250	VP/50	50	25	33	15	18	M 8	40	60
6112255	VP/50	50	25	33	15	18	M 8	45	61
6112256	VP/50	50	25	33	15	18	M 8	50	61
6112260	VP/50	50	25	33	15	18	M 8	60	67
6112265	VP/50	50	25	33	15	18	M10	15	58
6112270	VP/50	50	25	33	15	18	M10	20	61
6112275	VP/50	50	25	33	15	18	M10	25	63
6112280	VP/50	50	25	33	15	18	M10	30	65
6112284	VP/50	50	25	33	15	18	M10	40	70
6112285	VP/50	50	25	33	15	18	M10	50	76
6112290	VP/50	50	25	33	15	18	M10	60	84
6112295	VP/50	50	25	33	15	18	M12	30	86
6112300	VP/50	50	25	33	15	18	M12	40	93
6112305	VP/50	50	25	33	15	18	M12	60	108
6112310	VP/60	60	28	35	15	20	M 8	20	75
6112315	VP/60	60	28	35	15	20	M 8	40	80
6112320	VP/60	60	28	35	15	20	M 8	60	87
6112330	VP/60	60	28	35	15	20	M10	20	82
6112335	VP/60	60	28	35	15	20	M10	30	86
6112340	VP/60	60	28	35	15	20	M10	35	94
6112345	VP/60	60	28	35	15	20	M10	40	96
6112350	VP/60	60	28	35	15	20	M10	45	99
6112355	VP/60	60	28	35	15	20	M10	60	107
6112360	VP/60	60	28	35	15	20	M10	70	110
6112365	VP/60	60	28	35	15	20	M12	20	101
6112370	VP/60	60	28	35	15	20	M12	30	107
6112375	VP/60	60	28	35	15	20	M12	35	107
6112380	VP/60	60	28	35	15	20	M12	40	115
6112385	VP/60	60	28	35	15	20	M12	50	122
6112386	VP/60	60	28	35	15	20	M12	60	127
6112390	VP/60	60	28	35	15	20	M12	80	133
6112395	VP/70	70	32	42	21	21	M10	30	115
6112400	VP/70	70	32	42	21	21	M10	40	116
6112405	VP/70	70	32	42	21	21	M12	30	133
6112415	VP/70	70	32	42	21	21	M12	40	138
6112420	VP/70	70	32	42	21	21	M12	50	145
6112425	VP/70	70	32	42	21	21	M12	70	156
6112435	VP/70	70	32	42	21	21	M14	40	170
6112440	VP/70	70	32	42	21	21	M14	50	181
6112445	VP/90	90	42	55	26	29	M12	60	255
6112450	VP/90	90	42	55	26	29	M12	70	260
6112455	VP/90	90	42	55	26	29	M14	60	283
6112460	VP/90	90	42	55	26	29	M14	70	288
6112465	VP/90	90	42	55	26	29	M16	60	322
6112470	VP/90	90	42	55	26	29	M16	70	328

NOTE: Si forniscono, per quantità adeguate, in colori diversi e con inserti a misura in acciaio, in ottone, in acciaio inox.

Materiale: Duroplasto nero.
Black phenolic plastic.
Duroplast noir.

INOX - STAINLESS STEEL

VBX

Volantino a sei lobi Six lobe-knob

Petit volant à six lobes

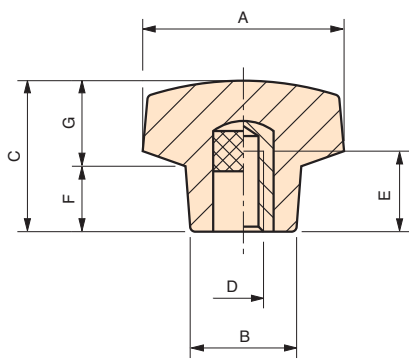


Bussola acciaio inox e foro cieco filettato.
Stainless steel insert with tapped blind hole.
Insert en acier inoxydable taraudé.

cod.	modello	A	B	C	D	E	F	G	Peso gr.
6157020	VBX/30	30	17	24	M 6	9	11	13	15
6157040	VBX/40	40	21	28	M 8	15	12	16	33
6157060	VBX/50	50	25	33	M 10	16	13	20	55
6157080	VBX/60	60	28	37	M 12	18	15	22	85

NOTE: Si forniscono, per quantità adeguate, in colori diversi e con inserti a misura.

Materiale: Duroplasto nero.
Black phenolic plastic.
Duroplast noir.



INOX - STAINLESS STEEL

VPX

Volantino a sei lobi Six lobe-knob

Petit volant à six lobes

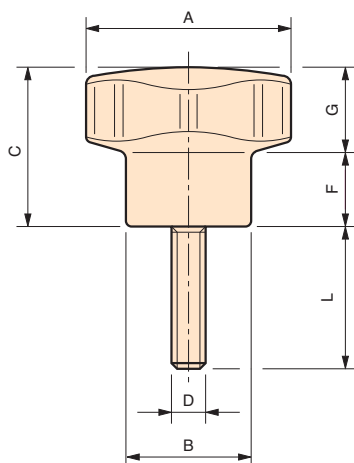


Perno in acciaio inox filettato.
Threaded stainless steel stud.
Tige filetée en acier inoxydable.

cod.	modello	A	B	C	F	G	D	L	Peso gr.
6158050	VPX/30	30	17	24	11	13	M 6	10	18
6158055	VPX/30	30	17	24	11	13	M 6	15	20
6158060	VPX/30	30	17	24	11	13	M 6	20	21
6158075	VPX/30	30	17	24	11	13	M 6	35	22
6158150	VPX/40	40	21	28	12	16	M 8	20	42
6158155	VPX/40	40	21	28	12	16	M 8	25	44
6158160	VPX/40	40	21	28	12	16	M 8	30	46
6158165	VPX/40	40	21	28	12	16	M 8	35	48
6158175	VPX/40	40	21	28	12	16	M 8	45	51
6158250	VPX/50	50	25	33	13	20	M 10	20	73
6158260	VPX/50	50	25	33	13	20	M 10	30	78
6158270	VPX/50	50	25	33	13	20	M 10	40	83
6158280	VPX/50	50	25	33	13	20	M 10	50	87
6158350	VPX/60	60	28	37	15	22	M 12	30	118
6158360	VPX/60	60	28	37	15	22	M 12	40	125
6158370	VPX/60	60	28	37	15	22	M 12	50	132
6158450	VPX/70	70	32	42	18	24	M 12	70	184

NOTE: Si forniscono, per quantità adeguate, in colori diversi e con inserti a misura.

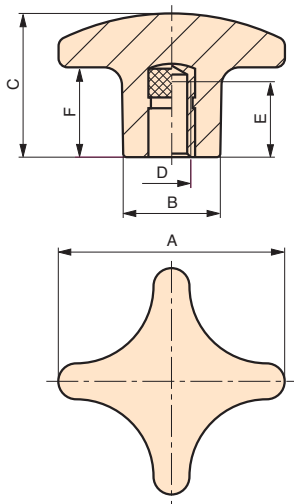
Materiale: Duroplasto nero.
Black phenolic plastic.
Duroplast noir.



VQB

Volantino a quattro punte Four lobe-knob

Petit volant à quatre bras



Bussola acciaio zincato foro cieco filettato.
Zinc plated steel insert with tapped blind hole.
Insert en acier zingué borgne taraudé.

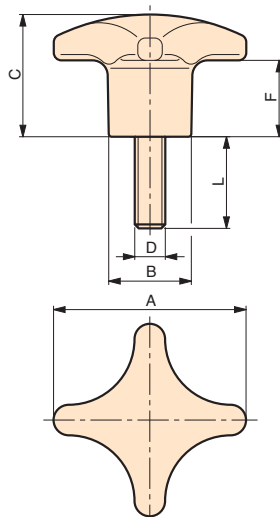
cod.	modello	A	B	C	F	D	E	Peso gr.
7120005	VQB/25	25	12	15	7	M 5	11	5,2
7120010	VQB/32	32	15	21	10	M 5	11	8,2
7120015	VQB/32	32	15	21	10	M 6	15	9
7120020	VQB/40	40	19	26	13	M 6	15	16,2
7120025	VQB/40	40	19	26	13	M 8	17	16,6
7120030	VQB/50	50	23	33	20	M 8	17	27,6
7120035	VQB/50	50	23	33	20	M 10	23	32,2
7120040	VQB/63	63	27	40	25	M 8	17	50
7120045	VQB/63	63	27	40	25	M 10	23	54,8
7120050	VQB/63	63	27	40	25	M 12	27	60,2
7120055	VQB/80	80	36	51	30	M 12	27	117
7120065	VQB/80	80	36	51	30	M 16	30	115,8

Materiale: Duroplasto nero.
Black phenolic plastic.
Duroplast noir.

VQP

Volantino a quattro punte Four lobe-knob

Petit volant à quatre bras



Perno in acciaio zincato filettato.
Threaded zinc plated steel stud.
Tige filetée en acier zingué.

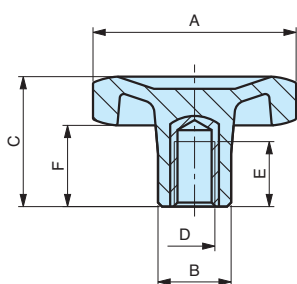
cod.	modello	A	B	C	F	D	L	Peso gr.
7121005	VQP/25	25	12	15	7	M 5	10	6,6
7121010	VQP/25	25	12	15	7	M 5	15	6,8
7121015	VQP/25	25	12	15	7	M 5	20	7,6
7121030	VQP/25	25	12	15	7	M 6	15	8,8
7121050	VQP/32	32	15	21	10	M 6	15	11,8
7121055	VQP/32	32	15	21	10	M 6	20	12,5
7121060	VQP/32	32	15	21	10	M 6	30	14,4
7121075	VQP/32	32	15	21	10	M 8	20	17
7121090	VQP/40	40	19	26	13	M 8	15	23
7121095	VQP/40	40	19	26	13	M 8	20	23,6
7121100	VQP/40	40	19	26	13	M 8	30	27
7121135	VQP/50	50	23	33	20	M 8	20	35,2
7121140	VQP/50	50	23	33	20	M 8	30	38
7121150	VQP/50	50	23	33	20	M 10	20	41,8
7121155	VQP/50	50	23	33	20	M 10	30	47,6
7121160	VQP/50	50	23	33	20	M 10	40	50,8
7121170	VQP/63	63	27	40	25	M 10	20	65,4
7121190	VQP/63	63	27	40	25	M 12	25	76,4

Materiale: Duroplasto nero.
Black phenolic plastic.
Duroplast noir.

LB

Volantino a sei lobi Six lobe-knob

Petit volant à six lobes



Bussola ottone e foro cieco filettato.
Brass insert with tapped blind hole.

Insert en laiton borgne taraudé.

cod.	modello	A	B	C	F	D	E	Peso gr.
6370005	LB/20	20	11	20	12	M 4	9	6
6370010	LB/20	20	11	20	12	M 5	9	6
6370015	LB/20	20	11	20	12	M 6	9	6
6370020	LB/30	30	14	24	15	M 5	13	12
6370025	LB/30	30	14	24	15	M 6	13	12
6370030	LB/30	30	14	24	15	M 8	13	13
6370035	LB/40	40	16	28	18	M 6	13	18
6370040	LB/40	40	16	28	18	M 8	13	19
6370045	LB/40	40	16	28	18	M10	13	20
6370050	LB/50	50	18	32	20	M 8	15	29
6370055	LB/50	50	18	32	20	M10	16	29
6370060	LB/60	60	20	36	22	M 8	15	40
6370065	LB/60	60	20	36	22	M10	16	41
6370070	LB/60	60	20	36	22	M12	18	42
6370075	LB/70	70	23	40	24	M10	16	62
6370080	LB/70	70	23	40	24	M12	18	64
6370085	LB/70	70	23	40	24	M14	20	66
6370090	LB/70	70	23	40	24	M16	20	68

NOTE: Si forniscono, per quantità adeguate, in colori diversi e con inserti a misura in acciaio, in ottone, in acciaio inox.

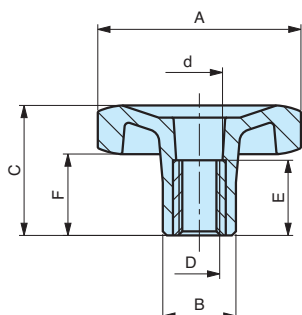
Materiale: Tecnopolimero nero, finitura opaca.
Black thermoplastic, mat.
Plastique polyamide, surface mat.

MODELLO DEPOSITATO

LB/FP

Volantino a sei lobi Six lobe-knob

Petit volant à six lobes



Bussola ottone foro passante filettato.
Brass insert with tapped through hole.
Insert en laiton traversant taraudé.

cod.	modello	A	B	C	F	D	E	d	Peso gr.
6371005	LB/20/FP	20	11	20	12	M 4	11	7	6
6371010	LB/20/FP	20	11	20	12	M 5	11	7	6
6371015	LB/20/FP	20	11	20	12	M 6	11	7	6
6371020	LB/30/FP	30	14	24	15	M 5	11	8	11
6371025	LB/30/FP	30	14	24	15	M 6	11	8	11
6371030	LB/30/FP	30	14	24	15	M 8	11	10	11
6371035	LB/40/FP	40	16	28	18	M 6	15	7	15
6371040	LB/40/FP	40	16	28	18	M 8	15	11	15
6371045	LB/40/FP	40	16	28	18	M10	15	11	15
6371050	LB/50/FP	50	18	32	20	M 8	18	11	29
6371055	LB/50/FP	50	18	32	20	M10	18	11	29
6371065	LB/60/FP	60	20	36	22	M10	25	13	46
6371070	LB/60/FP	60	20	36	22	M12	25	13	46
6371080	LB/70/FP	70	23	40	24	M12	25	14	64
6371085	LB/70/FP	70	23	40	24	M14	25	15	65
6371090	LB/70/FP	70	23	40	24	M16	25	17	65

NOTE: Si forniscono, per quantità adeguate, in colori diversi e con inserti a misura in acciaio, in ottone, in acciaio inox.

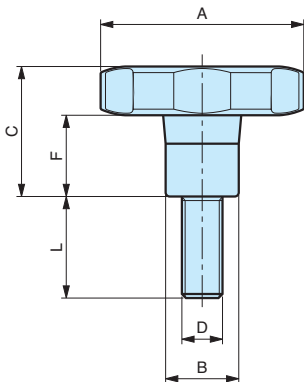
Materiale: Tecnopolimero nero, finitura opaca.
Black thermoplastic, mat.
Plastique polyamide, surface mat.

MODELLO DEPOSITATO

LP

Volantino a sei lobi Six lobe-knob

Petit volant à six lobes



Perno in acciaio zincato filettato.
Threaded zinc plated steel stud.
Tige filetée en acier zingué.

cod.	modello	A	B	C	F	D	L	Peso gr.
6372005	LP/20	20	11	20	12	M 4	10	6
6372010	LP/20	20	11	20	12	M 4	15	6
6372020	LP/20	20	11	20	12	M 5	15	7
6372025	LP/20	20	11	20	12	M 5	20	8
6372030	LP/20	20	11	20	12	M 5	25	8
6372040	LP/20	20	11	20	12	M 6	10	8
6372045	LP/20	20	11	20	12	M 6	15	9
6372050	LP/20	20	11	20	12	M 6	20	10
6372075	LP/30	30	14	24	15	M 6	15	15
6372080	LP/30	30	14	24	15	M 6	20	16
6372085	LP/30	30	14	24	15	M 6	25	17
6372090	LP/30	30	14	24	15	M 6	30	18
6372100	LP/30	30	14	24	15	M 6	40	20
6372105	LP/30	30	14	24	15	M 8	15	19
6372110	LP/30	30	14	24	15	M 8	20	20
6372115	LP/30	30	14	24	15	M 8	25	22
6372120	LP/30	30	14	24	15	M 8	30	23
6372125	LP/30	30	14	24	15	M 8	35	25
6372135	LP/40	40	16	28	18	M 6	20	22
6372145	LP/40	40	16	28	18	M 6	30	23
6372155	LP/40	40	16	28	18	M 6	40	25
6372165	LP/40	40	16	28	18	M 8	15	25
6372170	LP/40	40	16	28	18	M 8	20	26
6372175	LP/40	40	16	28	18	M 8	25	28
6372180	LP/40	40	16	28	18	M 8	30	30
6372190	LP/40	40	16	28	18	M 8	40	33
6372200	LP/40	40	16	28	18	M 8	50	35
6372210	LP/50	50	18	32	20	M 8	15	35
6372215	LP/50	50	18	32	20	M 8	20	37
6372225	LP/50	50	18	32	20	M 8	30	40
6372235	LP/50	50	18	32	20	M 8	40	43
6372242	LP/50	50	18	32	20	M 8	60	46
6372245	LP/50	50	18	32	20	M 10	20	44
6372255	LP/50	50	18	32	20	M 10	30	48
6372265	LP/50	50	18	32	20	M 10	40	53
6372275	LP/50	50	18	32	20	M 10	50	55
6372290	LP/60	60	20	36	22	M 8	30	55
6372295	LP/60	60	20	36	22	M 10	30	60
6372305	LP/60	60	20	36	22	M 10	40	65
6372315	LP/60	60	20	36	22	M 10	50	72
6372330	LP/60	60	20	36	22	M 12	30	82
6372340	LP/60	60	20	36	22	M 12	40	90
6372350	LP/60	60	20	36	22	M 12	50	96
6372360	LP/70	70	23	40	24	M 10	30	81
6372380	LP/70	70	23	40	24	M 12	30	100
6372390	LP/70	70	23	40	24	M 12	40	107
6372400	LP/70	70	23	40	24	M 12	50	115

NOTE: Si forniscono, per quantità adeguate, in colori diversi e con inserti a misura in acciaio, in ottone, in acciaio inox.

Materiale: Tecnopolimero nero, finitura opaca.
Black thermoplastic, mat.
Plastique polyamide, surface mat.

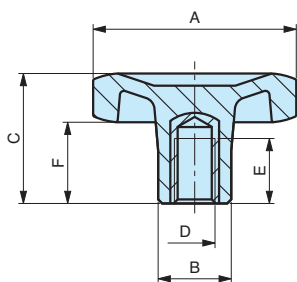
MODELLO DEPOSITATO

INOX - STAINLESS STEEL

LBX

Volantino a sei lobi
Six lobe-knob

Petit volant à six lobes



Bussola acciaio inox e foro cieco filettato.
Stainless steel insert with tapped blind hole.
Insert en acier inoxydable taraudé.

cod.	modello	A	B	C	D	E	F	Peso gr.
6370500	LBX/30	30	14	24	M 6	9	15	12
6370510	LBX/40	40	16	28	M 8	13	18	19
6370520	LBX/50	50	18	32	M 10	16	20	29

NOTE: Si forniscono, per quantità adeguate, in colori diversi e con inserti a misura.

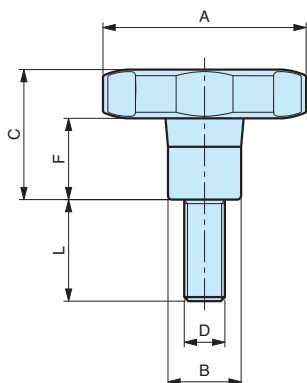
Materiale: Tecnopolimero nero.
Black thermoplastic.
Plastique polyamide noir.

INOX - STAINLESS STEEL

LPX

Volantino a sei lobi
Six lobe-knob

Petit volant à six lobes



Perno in acciaio inox filettato.
Threaded stainless steel stud.
Tige filetée en acier inoxydable.

cod.	modello	A	B	C	F	D	L	Peso gr.
6372600	LPX/30	30	14	24	15	M 6	20	17
6372610	LPX/30	30	14	24	15	M 6	30	18
6372630	LPX/40	40	16	28	18	M 8	20	20
6372640	LPX/40	40	16	28	18	M 8	30	23
6372660	LPX/50	50	18	32	20	M 10	25	46
6372670	LPX/50	50	18	32	20	M 10	30	48

NOTE: Si forniscono, per quantità adeguate, in colori diversi e con inserti a misura.

Materiale: Tecnopolimero nero.
Black thermoplastic.
Plastique polyamide noir.

VBA

Volantino a otto lobi Eight lobe-knob

Petit volant à huit lobes



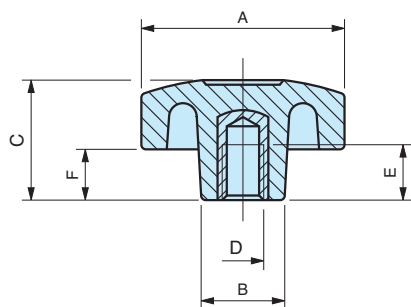
Bussola ottone e foro cieco filettato.
Brass insert with tapped blind hole.
Insert en laiton borgne taraudé.

cod.	modello	A	B	C	D	E	F	Peso gr.
6303005	VBA/25	25	13	17	M 4	9	8	7
6303010	VBA/25	25	13	17	M 5	9	8	7
6303015	VBA/25	25	13	17	M 6	9	8	7
6303020	VBA/35	35	18	20	M 6	13	8	16
6303025	VBA/35	35	18	20	M 8	13	8	17
6303030	VBA/35	35	18	20	M 10	13	8	18
6303033	VBA/45	45	22	26	M 5	13	12	27
6303035	VBA/45	45	22	26	M 6	13	12	27
6303040	VBA/45	45	22	26	M 8	13	12	28
6303045	VBA/45	45	22	26	M 10	13	12	29
6303050	VBA/55	55	25	29	M 8	15	15	43
6303055	VBA/55	55	25	29	M 10	16	15	44
6303060	VBA/55	55	25	29	M 12	18	15	45

NOTE: Si forniscono, per quantità adeguate, in colori diversi e con inserti a misura in acciaio, in ottone, in acciaio inox.

Materiale: Tecnopolimero nero, finitura opaca.
Black thermoplastic, mat.
Plastique polyamide, surface mat.

MODELLO DEPOSITATO



VBA/FP

Volantino a otto lobi Eight lobe-knob

Petit volant à huit lobes



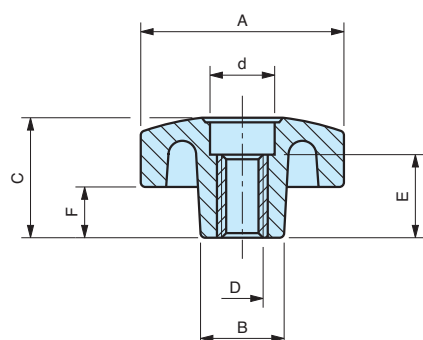
Bussola ottone foro passante filettato.
Brass insert with tapped through hole.
Insert en laiton traversant taraudé.

cod.	modello	A	B	C	D	F	d	E	Peso gr.
6303200	VBA/25/FP	25	13	17	M 4	8	7	11	7
6303205	VBA/25/FP	25	13	17	M 5	8	7	11	8
6303210	VBA/25/FP	25	13	17	M 6	8	7	11	9
6303215	VBA/35/FP	35	18	20	M 6	8	11	15	18
6303220	VBA/35/FP	35	18	20	M 8	8	11	15	18
6303225	VBA/35/FP	35	18	20	M 10	8	11	15	19
6303235	VBA/45/FP	45	22	26	M 6	12	11	18	27
6303240	VBA/45/FP	45	22	26	M 8	12	11	18	28
6303245	VBA/45/FP	45	22	26	M 10	12	11	18	30
6303250	VBA/55/FP	55	25	29	M 8	15	13	18	40
6303255	VBA/55/FP	55	25	29	M 10	15	13	18	41
6303260	VBA/55/FP	55	25	29	M 12	15	13	18	42

NOTE: Si forniscono, per quantità adeguate, in colori diversi e con inserti a misura in acciaio, in ottone, in acciaio inox.

Materiale: Tecnopolimero nero, finitura opaca.
Black thermoplastic, mat.
Plastique polyamide, surface mat.

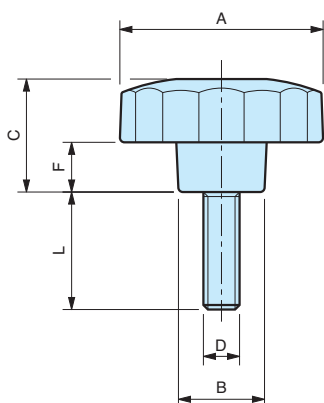
MODELLO DEPOSITATO



VPA

Volantino a otto lobi Eight lobe-knob

Petit volant à huit lobes



Perno in acciaio zincato filettato.
Threaded zinc plated steel stud.
Tige filetée en acier zingué.

cod.	modello	A	B	C	F	D	L	Peso gr.
6302005	VPA/25	25	13	17	8	M 4	10	7
6302010	VPA/25	25	13	17	8	M 4	15	7
6302015	VPA/25	25	13	17	8	M 5	10	7
6302020	VPA/25	25	13	17	8	M 5	15	8
6302025	VPA/25	25	13	17	8	M 5	25	9
6302030	VPA/25	25	13	17	8	M 6	10	8
6302035	VPA/25	25	13	17	8	M 6	15	10
6302036	VPA/25	25	13	17	8	M 6	20	11
6302040	VPA/25	25	13	17	8	M 6	25	12
6302045	VPA/35	35	18	20	8	M 6	10	19
6302047	VPA/35	35	18	20	8	M 6	15	19
6302050	VPA/35	35	18	20	8	M 6	20	20
6302055	VPA/35	35	18	20	8	M 6	25	20
6302060	VPA/35	35	18	20	8	M 6	35	22
6302065	VPA/35	35	18	20	8	M 8	15	22
6302067	VPA/35	35	18	20	8	M 8	20	26
6302070	VPA/35	35	18	20	8	M 8	25	26
6302075	VPA/35	35	18	20	8	M 8	35	29
6302080	VPA/35	35	18	20	8	M 8	40	29
6302085	VPA/35	35	18	20	8	M10	25	34
6302090	VPA/35	35	18	20	8	M10	30	35
6302105	VPA/45	45	22	26	12	M 6	55	36
6302110	VPA/45	45	22	26	12	M 8	15	36
6302115	VPA/45	45	22	26	12	M 8	20	37
6302120	VPA/45	45	22	26	12	M 8	25	38
6302125	VPA/45	45	22	26	12	M 8	30	39
6302130	VPA/45	45	22	26	12	M 8	35	40
6302135	VPA/45	45	22	26	12	M 8	40	41
6302140	VPA/45	45	22	26	12	M10	20	44
6302145	VPA/45	45	22	26	12	M10	30	51
6302150	VPA/45	45	22	26	12	M10	35	53
6302155	VPA/45	45	22	26	12	M10	40	54
6302158	VPA/55	55	25	29	15	M 8	15	49
6302160	VPA/55	55	25	29	15	M 8	20	50
6302165	VPA/55	55	25	29	15	M 8	30	53
6302170	VPA/55	55	25	29	15	M 8	40	56
6302173	VPA/55	55	25	29	15	M10	15	55
6302175	VPA/55	55	25	29	15	M10	20	57
6302180	VPA/55	55	25	29	15	M10	30	63
6302185	VPA/55	55	25	29	15	M10	40	68
6302190	VPA/55	55	25	29	15	M12	30	83
6302195	VPA/55	55	25	29	15	M12	40	90

NOTE: Si forniscono, per quantità adeguate, in colori diversi e con inserti a misura in acciaio, in ottone, in acciaio inox.

Materiale: Tecnopolimero nero, finitura opaca.
Black thermoplastic, mat.
Plastique polyamide, surface mat.

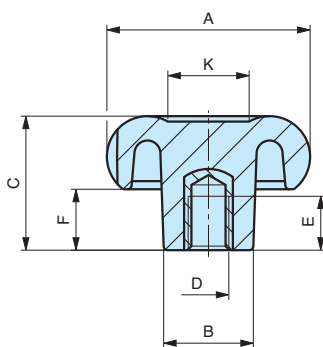
VTB

Volantino a tre lobi Three lobe-knob

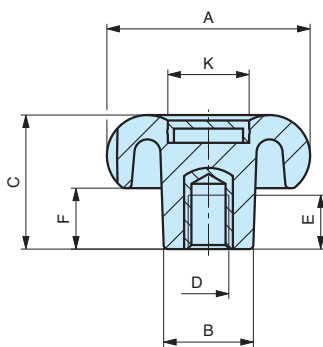
Petit volant à trois lobes



Disegno: versione senza tappo colorato



Disegno: versione con tappo colorato



Tappi



Bussola ottone e foro cieco filettato.
Brass insert with tapped blind hole.
Insert en laiton borgne taraudé.

cod.	modello	A	B	C	F	K	D	E	Peso gr.
6389005	VTB/20	20	12	18	10	8	M 4	9	5
6389010	VTB/20	20	12	18	10	8	M 5	9	5
6389015	VTB/20	20	12	18	10	8	M 6	9	5
6389020	VTB/30	30	14	22	11	11	M 5	9	11
6389025	VTB/30	30	14	22	11	11	M 6	9	11
6389030	VTB/30	30	14	22	11	11	M 8	9	12
6389035	VTB/40	40	18	28	13	15	M 6	13	26
6389040	VTB/40	40	18	28	13	15	M 8	13	26
6389045	VTB/40	40	18	28	13	15	M 10	13	27
6389050	VTB/50	50	22	33	15	20	M 8	15	43
6389055	VTB/50	50	22	33	15	20	M 10	16	44
6389060	VTB/50	50	22	33	15	20	M 12	18	45
6389070	VTB/60	60	26	39	18	25	M 10	16	74
6389075	VTB/60	60	26	39	18	25	M 12	18	75
6389090	VTB/70	70	30	44	21	30	M 12	18	115
6389095	VTB/70	70	30	44	21	30	M 14	20	116
6389100	VTB/70	70	30	44	21	30	M 16	20	117

NOTE: Si forniscono, per quantità adeguate, con inserti a misura in acciaio, in ottone, in acciaio inox.

È disponibile anche la versione (a partire dal D.30 fino al D.70 mm compresi) con tappo in vari colori, fornito smontato. Per quantità adeguate il tappo può essere personalizzato con marchi e/o simboli grafici.

Materiale: Tecnopolimero nero, finitura opaca.
Black thermoplastic, mat.
Plastique polyamide, surface mat.

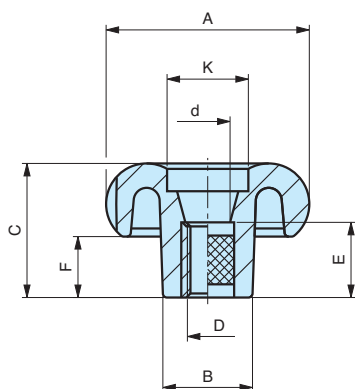
Colori disponibili:

Nero	RAL	9005
Rosso	RAL	3000
Blu	RAL	5019
Arancio	RAL	2004
Grigio	RAL	7035
Giallo	RAL	1021

VTB/FP

Volantino a tre lobi Three lobe-knob

Petit volant à trois lobes



Bussola ottone e foro passante filettato.
Brass insert with tapped through hole.
Insert en laiton traversant taraudé.

cod.	modello	A	B	C	F	K	D	E	d	Peso gr.
6390005	VTB/20/FP	20	12	18	10	8	M 4	11	7	5
6390010	VTB/20/FP	20	12	18	10	8	M 5	11	7	5
6390015	VTB/20/FP	20	12	18	10	8	M 6	11	7	5
6390020	VTB/30/FP	30	14	22	11	11	M 5	11	9	12
6390025	VTB/30/FP	30	14	22	11	11	M 6	11	9	12
6390030	VTB/30/FP	30	14	22	11	11	M 8	11	9	12
6390035	VTB/40/FP	40	18	28	13	15	M 6	15	11	25
6390040	VTB/40/FP	40	18	28	13	15	M 8	15	11	25
6390045	VTB/40/FP	40	18	28	13	15	M 10	15	11	20
6390050	VTB/50/FP	50	22	33	15	20	M 8	18	13	40
6390055	VTB/50/FP	50	22	33	15	20	M 10	18	13	40
6390060	VTB/50/FP	50	22	33	15	20	M 12	18	13	40
6390070	VTB/60/FP	60	26	39	18	25	M 10	25	13	75
6390075	VTB/60/FP	60	26	39	18	25	M 12	25	13	75
6390080	VTB/60/FP	60	26	39	18	25	M 14	25	13	75
6390090	VTB/70/FP	70	30	44	21	30	M 12	25	17	103
6390095	VTB/70/FP	70	30	44	21	30	M 14	25	17	103
6390100	VTB/70/FP	70	30	44	21	30	M 16	25	17	103

NOTE: Si forniscono, per quantità adeguate,
in colori diversi e con inserti a misura in acciaio,
in ottone, in acciaio inox.

Materiale: Tecnopolimero nero, finitura opaca.
Black thermoplastic, mat.
Plastique polyamide, surface mat.

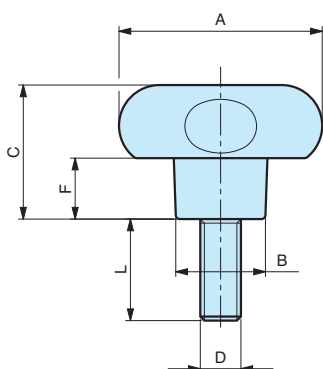
VTP

Volantino a tre lobi Three lobe-knob

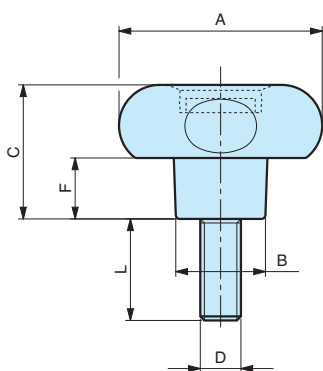
Petit volant à trois lobes



Disegno: versione senza tappo



Disegno: versione con tappo



Tappi



Perno in acciaio zincato filettato.
Threaded zinc plated steel stud.
Tige filetée en acier zingué.

cod.	modello	A	B	C	F	D	L	Peso gr.
6391005	VTP/20	20	12	18	10	M 4	10	6
6391010	VTP/20	20	12	18	10	M 4	15	6
6391025	VTP/20	20	12	18	10	M 5	10	7
6391030	VTP/20	20	12	18	10	M 5	15	7
6391035	VTP/20	20	12	18	10	M 5	20	8
6391040	VTP/20	20	12	18	10	M 5	25	9
6391050	VTP/20	20	12	18	10	M 6	10	9
6391055	VTP/20	20	12	18	10	M 6	15	9
6391060	VTP/20	20	12	18	10	M 6	20	10
6391065	VTP/20	20	12	18	10	M 6	25	10
6391080	VTP/30	30	14	22	11	M 5	15	12
6391085	VTP/30	30	14	22	11	M 5	20	13
6391095	VTP/30	30	14	22	11	M 6	15	15
6391100	VTP/30	30	14	22	11	M 6	20	16
6391105	VTP/30	30	14	22	11	M 6	25	17
6391110	VTP/30	30	14	22	11	M 6	30	18
6391120	VTP/30	30	14	22	11	M 6	40	20
6391130	VTP/30	30	14	22	11	M 8	15	19
6391135	VTP/30	30	14	22	11	M 8	20	20
6391140	VTP/30	30	14	22	11	M 8	25	21
6391145	VTP/30	30	14	22	11	M 8	30	23
6391150	VTP/30	30	14	22	11	M 8	35	25
6391160	VTP/30	30	14	22	11	M 8	45	27
6391180	VTP/40	40	18	28	13	M 6	20	30
6391190	VTP/40	40	18	28	13	M 6	30	31
6391200	VTP/40	40	18	28	13	M 6	40	33
6391215	VTP/40	40	18	28	13	M 8	15	33
6391220	VTP/40	40	18	28	13	M 8	20	35
6391225	VTP/40	40	18	28	13	M 8	25	37
6391230	VTP/40	40	18	28	13	M 8	30	38
6391235	VTP/40	40	18	28	13	M 8	35	39
6391240	VTP/40	40	18	28	13	M 8	40	41
6391255	VTP/40	40	18	28	13	M 10	20	41
6391260	VTP/40	40	18	28	13	M 10	30	43
6391280	VTP/50	50	22	33	15	M 8	15	50
6391285	VTP/50	50	22	33	15	M 8	20	53
6391300	VTP/50	50	22	33	15	M 8	40	55
6391310	VTP/50	50	22	33	15	M 8	60	57
6391320	VTP/50	50	22	33	15	M 10	20	59
6391330	VTP/50	50	22	33	15	M 10	30	64
6391340	VTP/50	50	22	33	15	M 10	40	67
6391360	VTP/50	50	22	33	15	M 12	30	88
6391370	VTP/50	50	22	33	15	M 12	40	92
6391390	VTP/60	60	26	39	18	M 10	20	92
6391395	VTP/60	60	26	39	18	M 10	30	92
6391400	VTP/60	60	26	39	18	M 10	40	95
6391405	VTP/60	60	26	39	18	M 10	50	100
6391420	VTP/60	60	26	39	18	M 12	30	112
6391425	VTP/60	60	26	39	18	M 12	40	116
6391430	VTP/60	60	26	39	18	M 12	50	127
6391435	VTP/60	60	26	39	18	M 12	60	132
6391460	VTP/70	70	30	44	21	M 12	30	151
6391465	VTP/70	70	30	44	21	M 12	40	160
6391470	VTP/70	70	30	44	21	M 12	50	165
6391480	VTP/70	70	30	44	21	M 14	40	187
6391485	VTP/70	70	30	44	21	M 14	50	200

NOTE: Si forniscono, per quantità adeguate, con inserti a misura in acciaio, in ottone, in acciaio inox.

È disponibile anche la versione (a partire dal D.30 fino al D.70 mm compresi) con tappo in vari colori, fornito smontato. Per quantità adeguate il tappo può essere personalizzato con marchi e/o simboli grafici.

Materiale: Tecnopolimero nero, finitura opaca.

Black thermoplastic, mat.

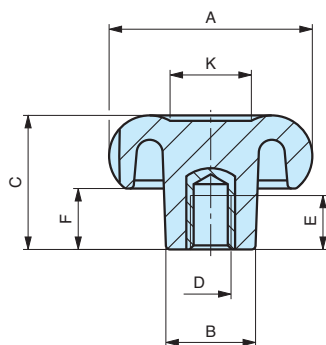
Plastique polyamide, surface mat.

INOX - STAINLESS STEEL

VTBX

Volantino a tre lobi
Three lobe-knob

Petit volant à trois lobes



Bussola acciaio inox e foro cieco filettato.
Stainless steel insert with tapped blind hole.
Insert en acier inoxydable taraudé.

cod.	modello	A	B	C	D	E	F	K	Peso gr.
6389500	VTBX/30	30	14	22	M 6	9	11	11	11
6389510	VTBX/40	40	18	28	M 8	13	13	15	26
6389520	VTBX/50	50	22	33	M 10	16	15	20	43

NOTE: Si forniscono, per quantità adeguate, in colori diversi e con inserti a misura.

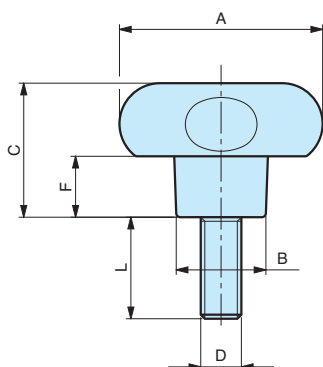
Materiale: Tecnopolimero nero.
Black thermoplastic.
Plastique polyamide noir.

INOX - STAINLESS STEEL

VTPX

Volantino a tre lobi
Three lobe-knob

Petit volant à trois lobes



Perno in acciaio inox filettato.
Threaded stainless steel stud.
Tige filetée en acier inoxydable.

cod.	modello	A	B	C	F	D	L	Peso gr.
6391700	VTPX/30	30	14	22	11	M 6	20	18
6391710	VTPX/30	30	14	22	11	M 6	30	20
6391730	VTPX/40	40	18	28	13	M 8	20	20
6391740	VTPX/40	40	18	28	13	M 8	30	23
6391760	VTPX/50	50	22	33	15	M 10	25	60
6391770	VTPX/50	50	22	33	15	M 10	30	64

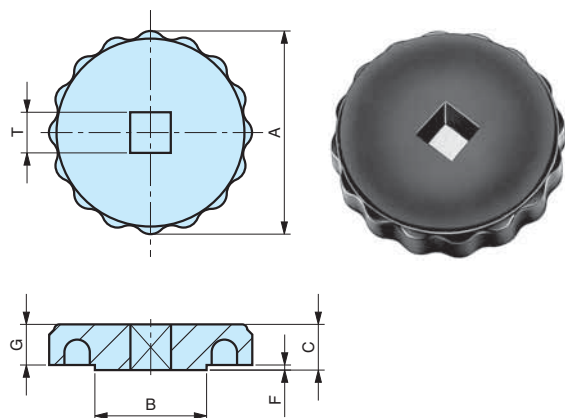
NOTE: Si forniscono, per quantità adeguate, in colori diversi e con inserti a misura.

Materiale: Tecnopolimero nero.
Black thermoplastic.
Plastique polyamide noir.

V/40/Q

Volantino lobato passante Lobe-knob

Petit volant à lobes



Foro quadro passante.
Square through hole.
Trou traversant carré.

cod.	modello	A	B	C	T	F	G	Peso gr.
6304200	V/40/Q	40	20	9	6x6	1	8	10
6304205	V/40/Q	40	20	9	8x8	1	8	10

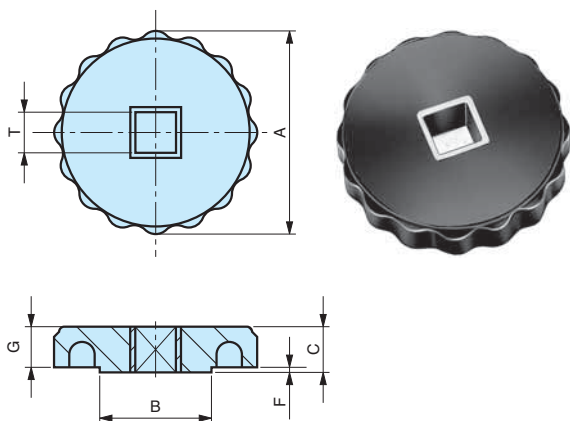
NOTE: Si forniscono, per quantità adeguate, in colori diversi.

Materiale: Tecnopolimero nero.
Black thermoplastic.
Plastique polyamide.

V/40/BQ

Volantino lobato passante Lobe-knob

Petit volant à lobes



Bussola ottone foro quadro passante.
Brass insert with square through hole.
Insert en laiton traversant carré.

cod.	modello	A	B	C	T	F	G	Peso gr.
6304400	V/40/BQ	40	20	9	6x6	1	8	11
6304405	V/40/BQ	40	20	9	8x8	1	8	12

NOTE: Si forniscono, per quantità adeguate, in colori diversi.

Materiale: Tecnopolimero nero.
Black thermoplastic.
Plastique polyamide.

V/40/PS

Volantino lobato passante Lobe-knob

Petit volant à lobes

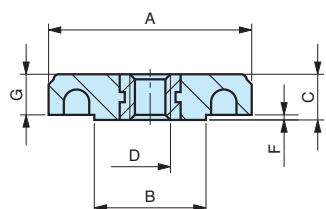


Bussola ottone foro passante filettato.
Brass insert with tapped through hole.
Insert en laiton traversant taraudé.

cod.	modello	A	B	C	D	F	G	Peso gr.
6304300	V/40/PS	40	20	9	M 8	1	8	12
6304305	V/40/PS	40	20	9	M 10	1	8	13

NOTE: Si forniscono, per quantità adeguate, in colori diversi.

Materiale: Tecnopolimero nero.
Black thermoplastic.
Plastique polyamide.



VEG

Volantino ergonomico gofrato Embossed ergonomic knob

Bouton ergonomique

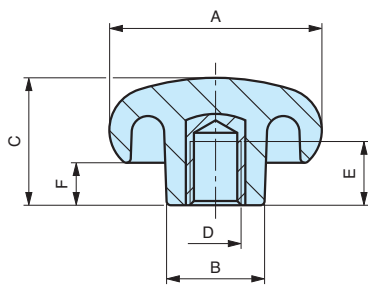


Bussola ottone e foro cieco filettato.
Brass insert with tapped blind hole.
Insert en laiton borgne taraudé.

cod.	modello	A	B	C	D	E	F	Peso gr.
6343005	VEG/50	50	23	30	M10	16	10	40
6343010	VEG/50	50	23	30	M12	18	10	43

NOTE: Si forniscono, per quantità adeguate, in colori diversi e con inserti a misura in acciaio, in ottone, in acciaio inox.

Materiale: Tecnopolimero nero.
Black thermoplastic.
Plastique polyamide.



MODELLO DEPOSITATO

VEG

Volantino ergonomico gofrato Embossed ergonomic knob

Bouton ergonomique

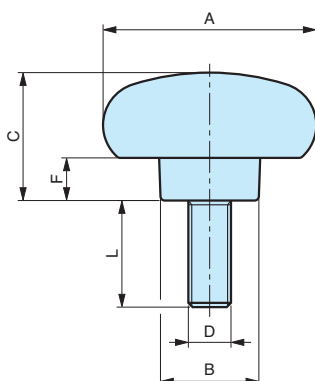


Perno in acciaio zincato filettato.
Threaded zinc plated steel stud.
Tige filetée en acier zingué.

cod.	modello	A	B	C	F	D	L	Peso gr.
6343100	VEG/50	50	23	30	10	M 8	15	50
6343105	VEG/50	50	23	30	10	M 10	20	54

NOTE: Si forniscono, per quantità adeguate, in colori diversi e con inserti a misura in acciaio, in ottone, in acciaio inox.

Materiale: Tecnopolimero nero.
Black thermoplastic.
Plastique polyamide.

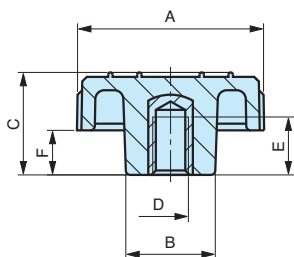


MODELLO DEPOSITATO

VB/P

Volantino pieno zigrinato Solid flat knurled knob

Petit volant cannelé



Bussola ottone e foro cieco filettato.
Brass insert with tapped blind hole.
Insert en laiton borgne taraudé.

cod.	modello	A	B	C	E	D	F	Peso gr.
6304045	VB/40/P	40	20	22	13	M 6	9	17
6304050	VB/40/P	40	20	22	13	M 8	9	18
6304055	VB/40/P	40	20	22	13	M 10	9	20

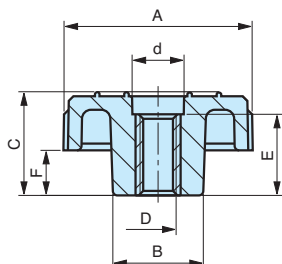
NOTE: Si forniscono, per quantità adeguate, in colori diversi e con inserti a misura in acciaio, in ottone, in acciaio inox.

Materiale: Tecnopolimero nero.
Black thermoplastic.
Plastique polyamide.

VB/PFP

Volantino pieno zigrinato Solid flat knurled knob

Petit volant cannelé



Bussola ottone foro passante filettato.
Brass insert with tapped through hole.
Insert en laiton traversant taraudé.

cod.	modello	A	B	C	E	F	d	D	Peso gr.
6304070	VB/40/PFP	40	20	22	18	9	12	M 6	19
6304075	VB/40/PFP	40	20	22	18	9	12	M 8	19
6304080	VB/40/PFP	40	20	22	18	9	12	M 10	20

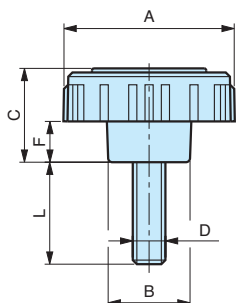
NOTE: Si forniscono, per quantità adeguate, in colori diversi e con inserti a misura in acciaio, in ottone, in acciaio inox.

Materiale: Tecnopolimero nero.
Black thermoplastic.
Plastique polyamide.

VP/P

Volantino pieno zigrinato Solid flat knurled knob

Petit volant cannelé



Perno in acciaio zincato filettato.
Threaded zinc plated steel stud.
Tige filetée en acier zingué.

cod.	modello	A	B	D	L	C	F	Peso gr.
6304003	VP/40/P	40	20	M6	25	22	9	22
6304005	VP/40/P	40	20	M8	25	22	9	27

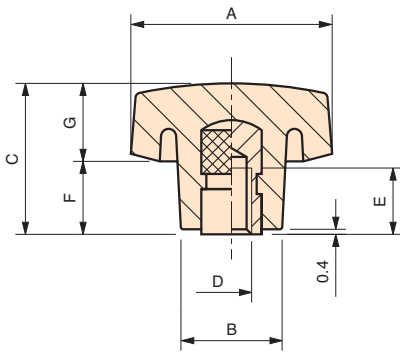
NOTE: Si forniscono, per quantità adeguate, in colori diversi e con inserti a misura in acciaio, in ottone, in acciaio inox.

Materiale: Tecnopolimero nero.
Black thermoplastic.
Plastique polyamide.

VM

Volantino a sei lobi Six lobe-knob

Petit volant à six lobes



Bussola ottone sporgente e foro cieco filettato.
Protruding brass insert with tapped blind hole.
Insert en laiton borgne taraudé saillant.

cod.	modello	A	B	C	D	E	F	G	colore	Peso gr.
6115005	VM/20	20	13	16	M 6	9	8	8	NERO	5
6115010	VM/20	20	13	16	M 6	9	8	8	ROSSO	5
6115015	VM/40	40	21	28	M 8	15	13	15	NERO	30
6115020	VM/40	40	21	28	M 8	15	13	15	ROSSO	30
6115025	VM/40	40	21	28	M 10	16	13	15	NERO	31
6115030	VM/40	40	21	28	M 10	16	13	15	ROSSO	31
6115035	VM/50	50	25	32	M 10	16	15	17	NERO	49
6115040	VM/50	50	25	32	M 10	16	15	17	ROSSO	49
6115045	VM/50	50	25	32	M 12	18	15	17	NERO	50
6115050	VM/50	50	25	32	M 12	18	15	17	ROSSO	50

NOTE: Non disponibili a magazzino.

Si forniscono, per quantità adeguate, in colori diversi e con inserti a misura in acciaio, in ottone, in acciaio inox.

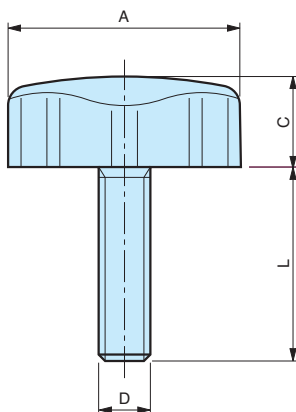
Materiale: Duroplasto.

Black or red phenolic plastic.
Duroplast noir ou rouge.

VSP

Volantino a sei lobi Six lobe-knob

Petit volant à six lobes



Perno in acciaio zincato filettato.
Threaded zinc plated steel stud.
Tige filetée en acier zingué.

cod.	modello	A	C	D	L	Peso gr.
6301005	VSP/13	13	7	M4	8	1
6301010	VSP/18	18	7	M4	10	2

NOTE: Si forniscono, per quantità adeguate, in colori diversi e con inserti a misura in acciaio, in ottone, in acciaio inox.

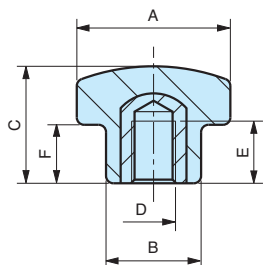
Materiale: Tecnopolimero nero.

Black thermoplastic.
Plastique polyamide.

VSB

Volantino a sei lobi Six lobe-knob

Petit volant à six lobes



Bussola ottone e foro cieco filettato.
Brass insert with tapped blind hole.
Insert en laiton borgne taraudé.

cod.	modello	A	B	C	D	E	F	Peso gr.
6329045	VSB/21	21	13	15	M4	8	8	8
6329050	VSB/21	21	13	15	M5	8	8	8
6329055	VSB/21	21	13	15	M6	8	8	8

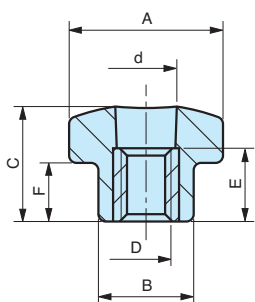
NOTE: Si forniscono, per quantità adeguate, in colori diversi e con inserti a misura in acciaio, in ottone, in acciaio inox.

Materiale: Tecnopolimero nero, finitura opaca.
Black thermoplastic, mat.
Plastique polyamide, surface mat.

VSB/FP

Volantino a sei lobi Six lobe-knob

Petit volant à six lobes



Bussola ottone foro passante filettato.
Brass insert with tapped through hole.
Insert en laiton traversant taraudé.

cod.	modello	A	B	C	D	d	E	F	Peso gr.
6329095	VSB/21/FP	21	13	15	M4	7	11	8	7
6329100	VSB/21/FP	21	13	15	M5	7	11	8	7
6329105	VSB/21/FP	21	13	15	M6	7	11	8	7

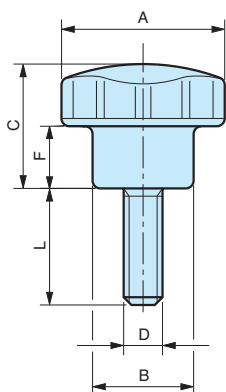
NOTE: Si forniscono, per quantità adeguate, in colori diversi e con inserti a misura in acciaio, in ottone, in acciaio inox.

Materiale: Tecnopolimero nero, finitura opaca.
Black thermoplastic, mat.
Plastique polyamide, surface mat.

VSP

Volantino a sei lobi Six lobe-knob

Petit volant à six lobes



Perno in acciaio zincato filettato.
Threaded zinc plated steel stud.
Tige filetée en acier zingué.

cod.	modello	A	B	C	D	F	L	Peso gr.
6342010	VSP/21	21	13	16	M4	8	10	5
6342030	VSP/21	21	13	16	M4	8	25	5
6342050	VSP/21	21	13	16	M5	8	10	6
6342060	VSP/21	21	13	16	M5	8	15	6

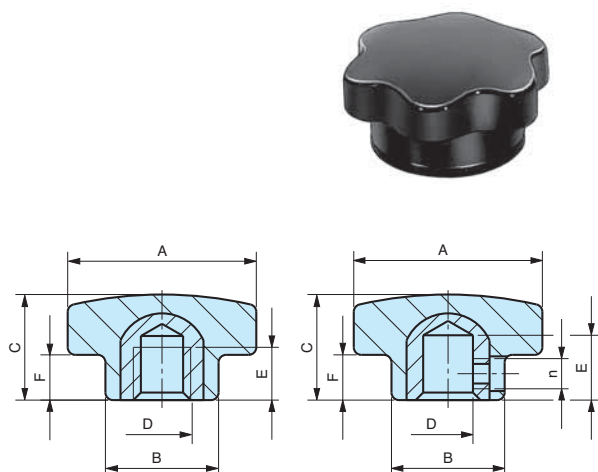
NOTE: Si forniscono, per quantità adeguate, in colori diversi e con inserti a misura in acciaio, in ottone, in acciaio inox.

Materiale: Tecnopolimero nero, finitura opaca.
Black thermoplastic, mat.
Plastique polyamide, surface mat.

VSB

Volantino a sei lobi Six lobe-knob

Petit volant à six lobes



Bussola ottone e foro cieco filettato.
Brass insert with tapped blind hole.

Insert en laiton borgne taraudé.

cod.	modello	A	B	C	D	E	F	n	Peso gr.
6329000	VSB/25	25	15	14	M4	8	6	/	9
6329015	VSB/25	25	15	14	M5	8	6	/	9
6329005	VSB/25	25	15	14	M6	8	6	/	9
6329010	VSB/25	25	15	14	M8	8	6	/	9
6329020	VSB/25	25	15	14	Ø6	9	6	M4	9

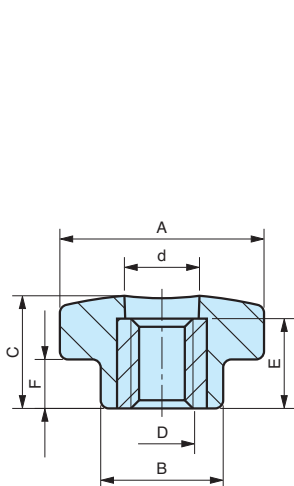
NOTE: Si forniscono, per quantità adeguate, in colori diversi e con inserti a misura in acciaio, in ottone, in acciaio inox.

Materiale: Tecnopolimero nero, finitura opaca.
Black thermoplastic, mat.
Plastique polyamide, surface mat.

VSB/FP

Volantino a sei lobi Six lobe-knob

Petit volant à six lobes



Bussola ottone foro passante filettato.
Brass insert with tapped through hole.

Insert en laiton traversant taraudé.

cod.	modello	A	B	C	D	d	E	F	Peso gr.
6329001	VSB/25/FP	25	15	14	M4	9	11	6	8
6329016	VSB/25/FP	25	15	14	M5	9	11	6	8
6329006	VSB/25/FP	25	15	14	M6	9	11	6	8
6329011	VSB/25/FP	25	15	14	M8	9	11	6	8

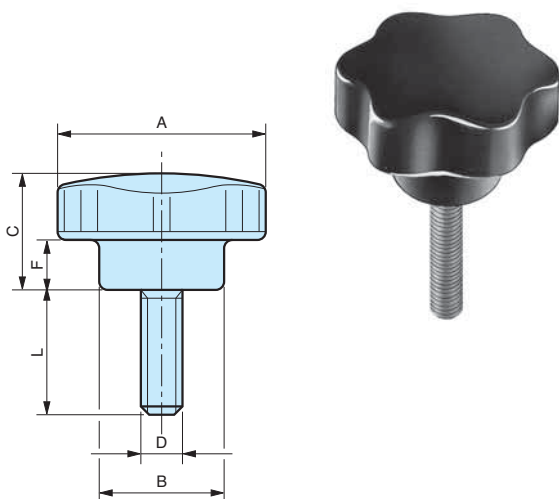
NOTE: Si forniscono, per quantità adeguate, in colori diversi e con inserti a misura in acciaio, in ottone, in acciaio inox.

Materiale: Tecnopolimero nero, finitura opaca.
Black thermoplastic, mat.
Plastique polyamide, surface mat.

VSP

Volantino a sei lobi Six lobe-knob

Petit volant à six lobes



Perno in acciaio zincato filettato.
Threaded zinc plated steel stud.

Tige filetée en acier zingué.

cod.	modello	A	B	C	F	D	L	Peso gr.
6330005	VSP/25	25	15	14	6	M4	10	8
6330010	VSP/25	25	15	14	6	M5	10	8
6330025	VSP/25	25	15	14	6	M5	15	8
6330015	VSP/25	25	15	14	6	M6	15	10
6330020	VSP/25	25	15	14	6	M6	25	11

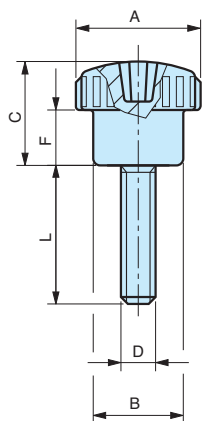
NOTE: Si forniscono, per quantità adeguate, in colori diversi e con inserti a misura in acciaio, in ottone, in acciaio inox.

Materiale: Tecnopolimero nero, finitura opaca.
Black thermoplastic, mat.
Plastique polyamide, surface mat.

VPC

Volantino bloccaggio testa a croce
Knurled knob with Philips drive

Petit volant de blocage
avec empreinte Philips



Perno in acciaio zincato filettato.
Threaded zinc plated steel stud.

Tige filetée en acier zingué.

cod.	modello	A	B	C	D	F	L	Peso gr.
*	VPC/17	17	13	15	M4	8	A richiesta	-
6334010	VPC/17	17	13	15	M5	8	15	9
6334015	VPC/17	17	13	15	M5	8	20	9

NOTE: * Non disponibili a magazzino.

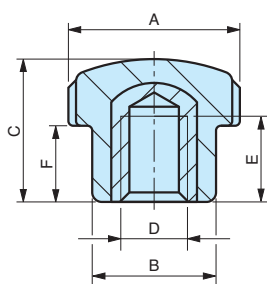
Si forniscono, per quantità adeguate, in colori diversi e con inserti a misura in acciaio, in ottone, in acciaio inox.

Materiale: Tecnopolimero nero.
Black thermoplastic.
Plastique polyamide.

VB/P

Volantino zigrinato
Solid flat knurled knob

Petit volant cannelé



Bussola ottone e foro cieco filettato.
Brass insert with tapped blind hole.

Insert en laiton borgne taraudé.

cod.	modello	A	B	C	D	E	F	Peso gr.
6336000	VB/17/P	17	13	15	M4	8	8	6
6336005	VB/17/P	17	13	15	M5	8	8	6
6336010	VB/17/P	17	13	15	M6	8	8	6

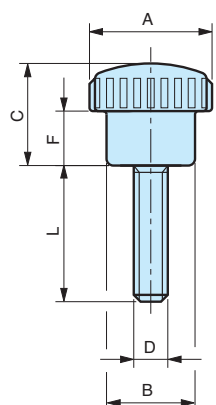
NOTE: Si forniscono, per quantità adeguate, in colori diversi e con inserti a misura in acciaio, in ottone, in acciaio inox.

Materiale: Tecnopolimero nero.
Black thermoplastic.
Plastique polyamide.

VP/P

Volantino zigrinato
Solid flat knurled knob

Petit volant cannelé



Perno in acciaio zincato filettato.
Threaded zinc plated steel stud.

Tige filetée en acier zingué.

cod.	modello	A	B	C	D	F	L	Peso gr.
6341010	VP/17/P	17	13	15	M4	8	10	4
6341030	VP/17/P	17	13	15	M4	8	25	5
6341050	VP/17/P	17	13	15	M5	8	10	5
6341060	VP/17/P	17	13	15	M5	8	15	6

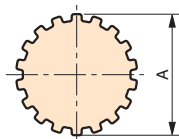
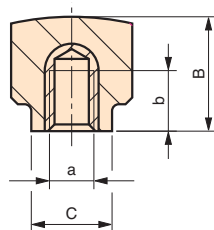
NOTE: Si forniscono, per quantità adeguate, in colori diversi e con inserti a misura in acciaio, in ottone, in acciaio inox.

Materiale: Tecnopolimero nero.
Black thermoplastic.
Plastique polyamide.

VZB

Volantino zigrinato Knurled knob

Bouton moleté



Bussola ottone e foro cieco filettato.
Brass insert with tapped blind hole.
Insert en laiton borgne taraudé.

cod.	modello	A	B	C	b	a	Peso gr.
7118005	VZB/15	15	12	11	6	M4	3
7118010	VZB/15	15	12	11	5	M5	3
7118015	VZB/15	15	12	11	4	M6	3
7118030	VZB/18	18	17	12	9	M5	6
7118035	VZB/18	18	17	12	9	M6	7
7118050	VZB/24	24	17	16	9	M6	10
7118055	VZB/24	24	17	16	10	M8	11

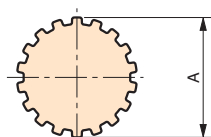
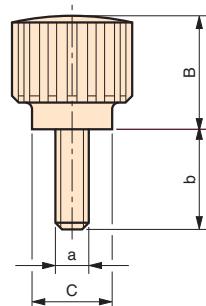
NOTE: Si forniscono, per quantità adeguate, in colori diversi e con inserti a misura in acciaio, in ottone, in acciaio inox.

Materiale: Duroplasto nero.
Black phenolic plastic.
Duroplast noir.

VZP

Volantino zigrinato Knurled knob

Bouton moleté



Perno in acciaio zincato filettato.
Threaded zinc plated steel stud.
Tige filetée en acier zingué.

cod.	modello	A	B	C	a	b	Peso gr.
7118250	VZP/18	18	18	12	M5	13	8
7118270	VZP/18	18	18	12	M6	13	10
7118300	VZP/24	24	18	16	M6	15	14
7118320	VZP/24	24	18	16	M8	15	19

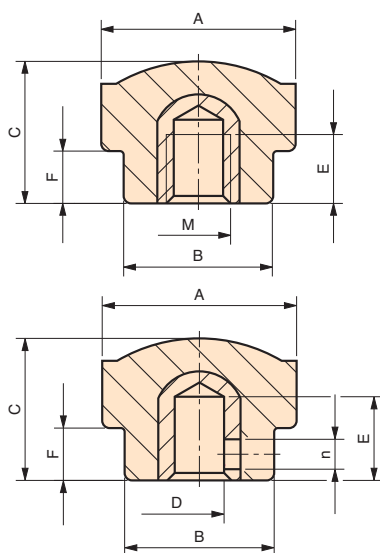
NOTE: Si forniscono, per quantità adeguate, in colori diversi e con inserti a misura in acciaio, in ottone, in acciaio inox.

Materiale: Duroplasto nero.
Black phenolic plastic.
Duroplast noir.

VBZ

Volantino zigrinato Knurled knob

Bouton moleté



Bussola ottone foro cieco filettato o foro liscio.
Brass insert with tapped blind hole or bored brass insert.
Insert en laiton borgne taraudé.

cod.	modello	A	B	C	E	F	D	M	n	Peso gr.
6128100	VBZ/22	22	15	16	8	6	/	M5	/	8
6128105	VBZ/22	22	15	16	8	6	/	M6	/	8
6128005	VBZ/26	26	20	19	10	7	∅6	/	M4	14
6128010	VBZ/26	26	20	19	9	7	/	M6	/	13
6128015	VBZ/26	26	20	19	9	7	/	M8	/	13

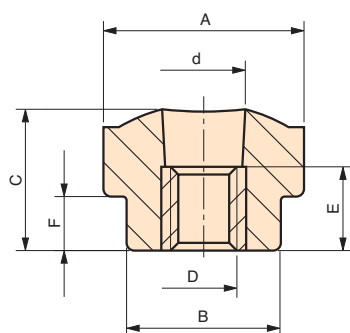
NOTE: Grano in acciaio filettato M4, testa a brugola.
Si forniscono, per quantità adeguate, in colori diversi e con inserti a misura in acciaio, in ottone, in acciaio inox.

Materiale: Duroplasto nero.
Black phenolic plastic.
Duroplast noir.

VBZ/FP

Volantino zigrinato Knurled knob

Bouton moleté



Bussola ottone foro passante filettato.
Brass insert with tapped through hole.
Insert en laiton traversant taraudé.

cod.	modello	A	B	C	D	d	E	F	Peso gr.
6128150	VBZ/22/FP	22	15	16	M5	6	8	6	7
6128155	VBZ/22/FP	22	15	16	M6	7	8	6	7
6128011	VBZ/26/FP	26	20	19	M6	7	8	7	11
6128016	VBZ/26/FP	26	20	19	M8	9	8	7	11

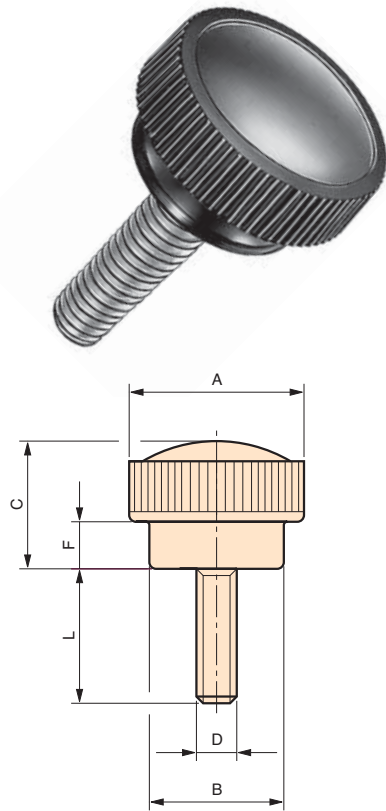
NOTE: Si forniscono, per quantità adeguate, in colori diversi e con inserti a misura in acciaio, in ottone, in acciaio inox.

Materiale: Duroplasto nero.
Black phenolic plastic.
Duroplast noir.

VPZ

Volantino zigrinato Knurled knob

Bouton moleté



Perno in acciaio zincato filettato.
Threaded zinc plated steel stud.
Tige filetée en acier zingué.

cod.	modello	A	C	B	D	L	F	Peso gr.
6127005	VPZ/22	22	16	15	M5	10	6	7
6127010	VPZ/22	22	16	15	M5	15	6	8
6127015	VPZ/22	22	16	15	M5	25	6	10
6127020	VPZ/22	22	16	15	M6	10	6	9
6127025	VPZ/22	22	16	15	M6	15	6	10
6127030	VPZ/22	22	16	15	M6	20	6	11
6127035	VPZ/22	22	16	15	M6	30	6	14
6127040	VPZ/26	26	19	20	M5	10	7	13
6127045	VPZ/26	26	19	20	M6	15	7	16
6127050	VPZ/26	26	19	20	M6	25	7	17
6127055	VPZ/26	26	19	20	M8	25	7	21

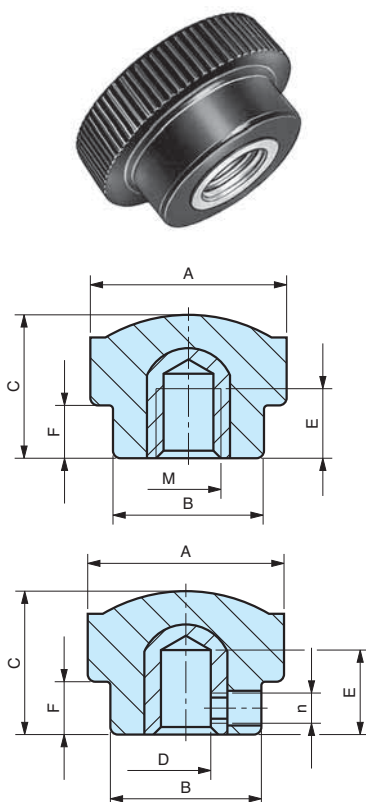
NOTE: Si forniscono, per quantità adeguate, in colori diversi e con inserti a misura in acciaio, in ottone, in acciaio inox.

Materiale: Duroplasto nero.
Black phenolic plastic.
Duroplast noir.

ZB

Volantino zigrinato Knurled knob

Bouton moleté



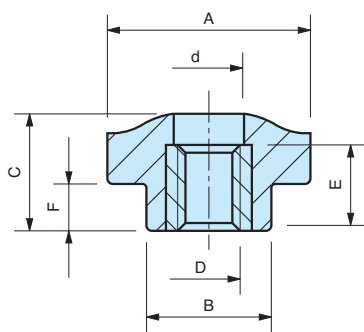
Bussola ottone foro cieco filettato o foro liscio.
Brass insert with tapped blind hole or bored brass insert.
Insert en laiton borgne taraudé.

cod.	modello	A	B	C	E	F	D	M	n	Peso gr.	NOTE:
6332050	ZB/15	15	11	14	9	7	/	M4	/	4	Grano in acciaio filettato M4, testa a brugola.
6332055	ZB/15	15	11	14	9	7	/	M5	/	4	
6332000	ZB/22	22	15	14	8	6	/	M4	/	7	Si forniscono, per quantità adeguate, in colori diversi e con inserti a misura in acciaio, in ottone, in acciaio inox.
6332005	ZB/22	22	15	14	8	6	/	M5	/	8	
6332010	ZB/22	22	15	14	8	6	/	M6	/	8	
6332015	ZB/22	22	15	14	8	6	/	M8	/	7	
6332020	ZB/22	22	15	14	9	6	∅6	/	M4	7	
6328000	ZB/24	24	15	14	8	6	/	M4	/	8	
6328020	ZB/24	24	15	14	8	6	/	M5	/	9	
6328005	ZB/24	24	15	14	8	6	/	M6	/	7	
6328010	ZB/24	24	15	14	8	6	/	M8	/	8	
6328015	ZB/24	24	15	14	9	6	∅6	/	M4	7	
6339000	ZB/26	26	16	15	8	6	/	M4	/	11	Materiale: Tecnopolimero nero, finitura opaca. Black thermoplastic, mat. Plastique polyamide, surface mat.
6339005	ZB/26	26	16	15	8	6	/	M5	/	11	
6339010	ZB/26	26	16	15	8	6	/	M6	/	11	
6339015	ZB/26	26	16	15	8	6	/	M8	/	10	
6339020	ZB/26	26	16	15	9	6	∅6	/	M4	10	
6332090	ZB/32	32	19	18	9	8	/	M6	/	13	
6332095	ZB/32	32	19	18	9	8	/	M8	/	14	

ZB/FP

Volantino zigrinato Knurled knob

Bouton moleté



Bussola ottone foro passante filettato.
Brass insert with tapped through hole.
Insert en laiton traversant taraudé.

cod.	modello	A	B	C	D	d	E	F	Peso gr.
6332200	ZB/15/FP	15	11	14	M4	7	11	7	4
6332205	ZB/15/FP	15	11	14	M5	7	11	7	4
6332001	ZB/22/FP	22	15	14	M4	9	11	6	7
6332006	ZB/22/FP	22	15	14	M5	9	11	6	7
6332011	ZB/22/FP	22	15	14	M6	9	11	6	7
6332016	ZB/22/FP	22	15	14	M8	9	11	6	7
6328001	ZB/24/FP	24	15	14	M4	9	11	6	7
6328021	ZB/24/FP	24	15	14	M5	9	11	6	9
6328006	ZB/24/FP	24	15	14	M6	9	11	6	8
6328016	ZB/24/FP	24	15	14	M8	9	11	6	8
6339095	ZB/26/FP	26	16	15	M4	9	11	6	9
6339100	ZB/26/FP	26	16	15	M5	9	11	6	9
6339105	ZB/26/FP	26	16	15	M6	9	11	6	9
6339110	ZB/26/FP	26	16	15	M8	9	11	6	9
6332300	ZB/32/FP	32	19	18	M6	9	11	8	11
6332305	ZB/32/FP	32	19	18	M8	9	11	8	12

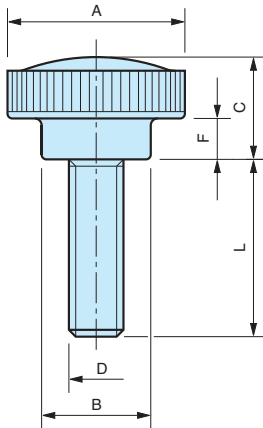
NOTE: Si forniscono, per quantità adeguate, in colori diversi e con inserti a misura in acciaio, in ottone, in acciaio inox.

Materiale: Tecnopolimero nero, finitura opaca.
Black thermoplastic, mat.
Plastique polyamide, surface mat.

ZP

Volantino zigrinato Knurled knob

Bouton moleté

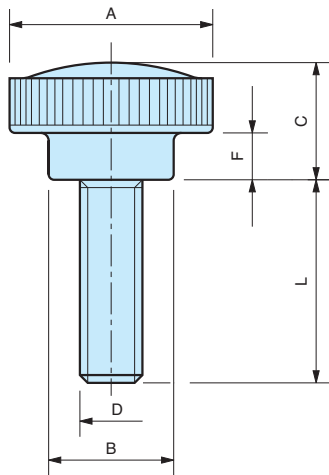


Perno in acciaio zincato filettato.
Threaded zinc plated steel stud.
Tige filetée en acier zingué.

cod.	modello	A	B	C	F	D	L	Peso gr.
6327050	ZP/15	15	11	14	7	M4	10	4
6327055	ZP/15	15	11	14	7	M4	15	4
6327080	ZP/15	15	11	14	7	M5	10	4
6331005	ZP/22	22	15	14	6	M4	10	6
6331010	ZP/22	22	15	14	6	M4	25	6
6331015	ZP/22	22	15	14	6	M5	10	7
6331016	ZP/22	22	15	14	6	M5	15	7
6331017	ZP/22	22	15	14	6	M6	10	8
6331020	ZP/22	22	15	14	6	M6	15	8
6331030	ZP/22	22	15	14	6	M6	20	9
6331025	ZP/22	22	15	14	6	M6	25	9
6331033	ZP/22	22	15	14	6	M6	30	11
6331035	ZP/22	22	15	14	6	M6	35	12
6331036	ZP/22	22	15	14	6	M6	40	13
6327020	ZP/24	24	15	14	6	M4	10	5
6327025	ZP/24	24	15	14	6	M4	25	6
6327005	ZP/24	24	15	14	6	M5	10	8
6327030	ZP/24	24	15	14	6	M6	10	6
6327010	ZP/24	24	15	14	6	M6	15	10
6327015	ZP/24	24	15	14	6	M6	25	11
6338010	ZP/26	26	16	15	6	M5	10	9
6338015	ZP/26	26	16	15	6	M5	15	10
6338020	ZP/26	26	16	15	6	M5	25	11
6338025	ZP/26	26	16	15	6	M6	10	10
6338030	ZP/26	26	16	15	6	M6	15	11
6338033	ZP/26	26	16	15	6	M6	20	12
6338035	ZP/26	26	16	15	6	M6	25	13
6338040	ZP/26	26	16	15	6	M6	40	15
6338050	ZP/26	26	16	15	6	M8	25	17
6327150	ZP/32	32	19	18	8	M6	15	13
6327155	ZP/32	32	19	18	8	M6	20	14
6327160	ZP/32	32	19	18	8	M6	25	15
6327165	ZP/32	32	19	18	8	M6	30	16
6327175	ZP/32	32	19	18	8	M6	40	18
6327190	ZP/32	32	19	18	8	M8	15	19
6327195	ZP/32	32	19	18	8	M8	25	22
6327200	ZP/32	32	19	18	8	M8	40	27

NOTE: Si forniscono, per quantità adeguate, in colori diversi e con inserti a misura in acciaio, in ottone, in acciaio inox.

Materiale: Tecnopolimero nero, finitura opaca.
Black thermoplastic, mat.
Plastique polyamide, surface mat.



Perno in acciaio inox filettato.
Threaded stainless steel stud.
Tige filetée en acier inoxydable.

cod.	modello	A	B	C	F	D	L	Peso gr.
6331400	ZPX/22	22	15	14	6	M5	10	7
6338300	ZPX/26	26	16	15	6	M6	20	12
6338310	ZPX/26	26	16	15	6	M6	30	14

NOTE: Si forniscono, per quantità adeguate, in colori diversi e con inserti a misura.

Materiale: Tecnopolimero nero, finitura opaca.
Black thermoplastic, mat.
Plastique polyamide noir, surface mat.

GB

Galletto di fissaggio Plastic wing nut

Ecrou à oreilles

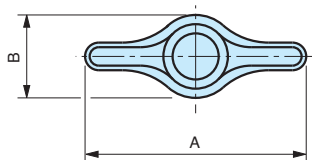
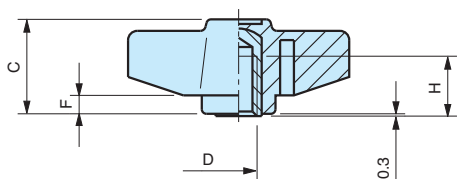


Bussola ottone foro cieco filettato.
Brass insert with tapped blind hole.
Insert en laiton borgne taraudé.

cod.	modello	A	B	C	D	H	F	Peso gr.
6309495	GB/34	34	14	18	M5	8	4	5
6309500	GB/34	34	14	18	M6	9	4	5
6309505	GB/34	34	14	18	M8	9	4	6
6309507	GB/40	40	15	19	M6	9	4	7
6309508	GB/40	40	15	19	M8	9	4	7
6309510	GB/48	48	17	20	M6	13	4	7
6309515	GB/48	48	17	20	M8	13	4	9

NOTE: Si forniscono, per quantità adeguate, in colori diversi e con inserti a misura in acciaio, in ottone, in acciaio inox.

Materiale: Tecnopolimero nero, finitura opaca.
Black thermoplastic, mat.
Plastique polyamide, surface mat.



GB/FP

Galletto di fissaggio Plastic wing nut

Ecrou à oreilles

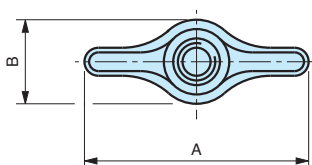
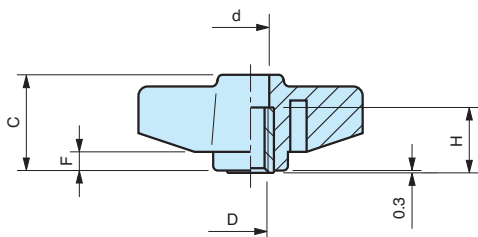


Bussola ottone foro passante filettato.
Brass insert with tapped through hole.
Insert en laiton traversant taraudé.

cod.	modello	A	B	C	D	d	H	F	Peso gr.
6309019	GB/34/FP	34	14	18	M5	7	15	4	7
6309020	GB/34/FP	34	14	18	M6	7	15	4	7
6309030	GB/40/FP	40	15	19	M6	9	15	4	10
6309035	GB/40/FP	40	15	19	M8	9	15	4	10
6309010	GB/48/FP	48	17	20	M6	9	15	4	10
6309015	GB/48/FP	48	17	20	M8	9	15	4	11

NOTE: Si forniscono, per quantità adeguate, in colori diversi e con inserti a misura in acciaio, in ottone, in acciaio inox.

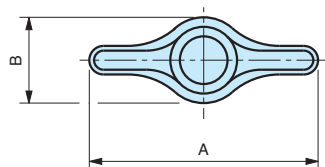
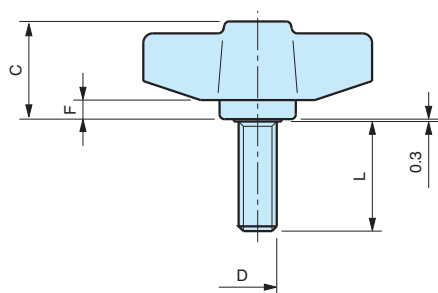
Materiale: Tecnopolimero nero, finitura opaca.
Black thermoplastic, mat.
Plastique polyamide, surface mat.



GP

Galletto di fissaggio Plastic wing nut

Vis à oreilles



Perno in acciaio zincato filettato.
Threaded zinc plated steel stud.
Tige filetée en acier zingué.

cod.	modello	A	B	C	D	L	F	Peso gr.
6310033	GP/34	34	14	18	M4	10	4	5
6310035	GP/34	34	14	18	M4	15	4	5
6310040	GP/34	34	14	18	M5	10	4	7
6310042	GP/34	34	14	18	M5	15	4	7
6310050	GP/34	34	14	18	M6	10	4	9
6310055	GP/34	34	14	18	M6	15	4	9
6310060	GP/34	34	14	18	M6	20	4	10
6310065	GP/34	34	14	18	M6	25	4	11
6310070	GP/34	34	14	18	M8	10	4	12
6310075	GP/34	34	14	18	M8	15	4	13
6310080	GP/34	34	14	18	M8	20	4	14
6310085	GP/34	34	14	18	M8	25	4	15
6310150	GP/40	40	15	19	M6	15	4	10
6310155	GP/40	40	15	19	M6	20	4	11
6310170	GP/40	40	15	19	M8	15	4	14
6310175	GP/40	40	15	19	M8	20	4	15
6310180	GP/40	40	15	19	M8	25	4	16
6310003	GP/48	48	17	20	M6	10	4	11
6310005	GP/48	48	17	20	M6	15	4	12
6310007	GP/48	48	17	20	M6	20	4	12
6310008	GP/48	48	17	20	M6	25	4	13
6310010	GP/48	48	17	20	M8	10	4	14
6310015	GP/48	48	17	20	M8	15	4	15
6310020	GP/48	48	17	20	M8	20	4	16
6310022	GP/48	48	17	20	M8	25	4	18
6310023	GP/48	48	17	20	M8	30	4	19
6310025	GP/48	48	17	20	M8	35	4	20
6310028	GP/48	48	17	20	M8	40	4	22

NOTE: Si forniscono, per quantità adeguate, in colori diversi e con inserti a misura in acciaio, in ottone, in acciaio inox.

Materiale: Tecnopolimero nero, finitura opaca.
Black thermoplastic, mat.
Plastique polyamide, surface mat.

INOX - STAINLESS STEEL

GPX

Galletto di fissaggio
Plastic wing nut

Vis à oreilles

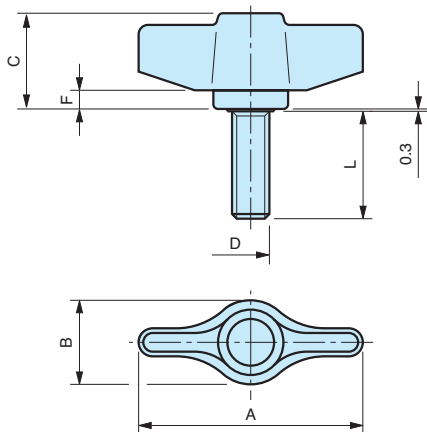


Perno in acciaio inox filettato.
Threaded stainless steel stud.
Tige filetée en acier inoxydable.

cod.	modello	A	B	C	D	L	F	Peso gr.
6310300	GPX/34	34	14	18	M6	20	4	10
6310310	GPX/34	34	14	18	M6	30	4	12

NOTE: Si forniscono, per quantità adeguate, in colori diversi e con inserti a misura.

Materiale: Tecnopolimero nero, finitura opaca.
Black thermoplastic, mat.
Plastique polyamide noir, surface mat.



GBA/FP

Galletto di fissaggio
Plastic wing nut

Ecrou à oreilles

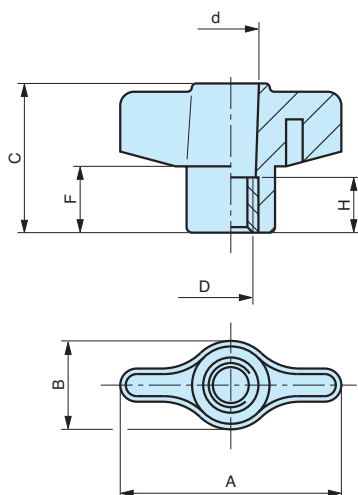


Bussola in acciaio foro passante filettato.
Zinc plated steel insert with tapped through hole.
Insert en acier traversant taraudé.

cod.	modello	A	B	C	D	d	H	F	Peso gr.
6309700	GBA/40/FP	40	16	27	M8	9	10	12	10

NOTE: Si forniscono, per quantità adeguate, in colori diversi e con inserti a misura in acciaio, in ottone, in acciaio inox.

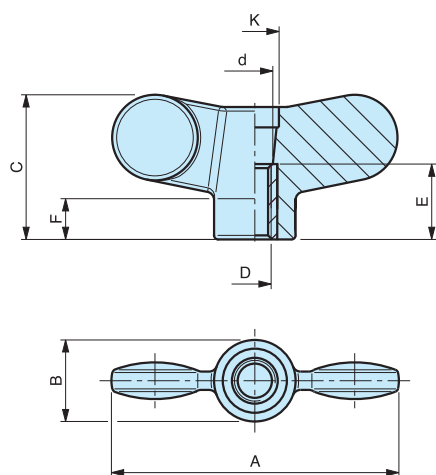
Materiale: Tecnopolimero nero, finitura opaca.
Black thermoplastic, mat.
Plastique polyamide, surface mat.



GF/FP

Galletto di fissaggio Plastic wing nut

Ecrou à oreilles



Bussola ottone foro passante filettato.
Brass insert with tapped through hole.
Insert en laiton traversant taraudé.

codice	modello	A	B	C	D	d	E	F	K	Peso gr.
6398010	GF/55/FP	55	16	28	M 6	8	18	8	11	14
6398020	GF/55/FP	55	16	28	M 8	10	18	8	11	15
6399015	GF/70/FP	70	20	36	M 8	10	18	10	11	23
6399025	GF/70/FP	70	20	36	M 10	11	18	10	11	24

NOTE: Si forniscono, per quantità adeguate, in colori diversi e con inserti a misura in acciaio, in ottone, in acciaio inox.
Sono disponibili anche tappi in vari colori, forniti smontati (vedere modello GF/T).

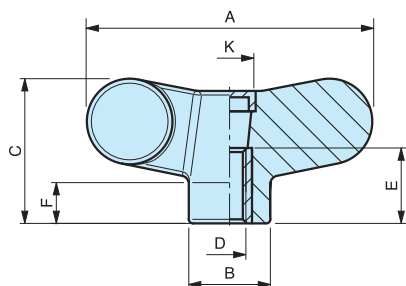
Materiale: Tecnopolimero nero, finitura opaca.
Black thermoplastic, mat.
Plastique polyamide noir surface mate.

MODELLO DEPOSITATO

GF/T

Galletto di fissaggio Plastic wing nut

Ecrou à oreilles



Bussola ottone foro passante filettato.
Brass insert with tapped through hole.
Insert en laiton traversant taraudé.

codice	modello	A	B	C	D	E	F	K	Peso gr.
6398400	GF/55/T	55	16	28	M 6	18	8	11	14,5
6398410	GF/55/T	55	16	28	M 8	18	8	11	15,5
6399415	GF/70/T	70	20	36	M 8	18	10	11	23,5
6399425	GF/70/T	70	20	36	M 10	18	10	11	24,5

NOTE: Si forniscono, per quantità adeguate, in colori diversi e con inserti a misura. Fornitura standard con tappo colore nero. Sono disponibili anche tappi in altri colori, forniti smontati. Per quantità adeguate il tappo può essere personalizzato con marchi e/o simboli grafici.

Materiale: Tecnopolimero nero, finitura opaca.
Black thermoplastic, mat.
Plastique polyamide noir surface mate.

Colori disponibili:

Nero	RAL	9005
Rosso	RAL	3000
Blu	RAL	5019
Arancio	RAL	2004
Grigio	RAL	7035
Giallo	RAL	1021

Tappi

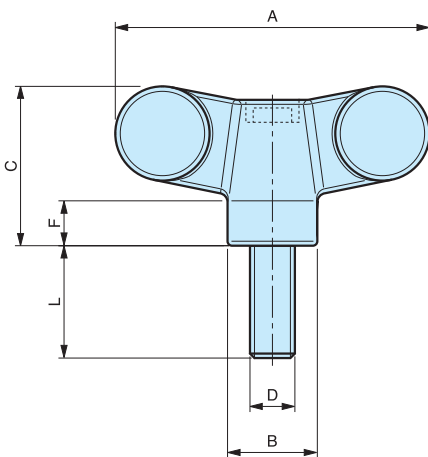


MODELLO DEPOSITATO

GF/P

Galletto di fissaggio Plastic wing nut

Ecrou à oreilles



Tappi



Perno in acciaio zincato filettato.
Threaded zinc plated steel stud.
Tige filetée en acier zingué.

codice	modello	A	B	C	D	L	F	Peso gr.
6365010	GF/55/P	55	16	28	M 8	20	8	24
6365020	GF/55/P	55	16	28	M 8	30	8	25
6365030	GF/55/P	55	16	28	M 8	40	8	26
6365050	GF/55/P	55	16	28	M 10	20	8	30
6365060	GF/55/P	55	16	28	M 10	30	8	35
6365070	GF/55/P	55	16	28	M 10	40	8	40
6366015	GF/70/P	70	20	36	M 8	20	10	30
6366025	GF/70/P	70	20	36	M 8	30	10	34
6366055	GF/70/P	70	20	36	M 10	20	10	39
6366065	GF/70/P	70	20	36	M 10	30	10	43
6366075	GF/70/P	70	20	36	M 10	40	10	47

NOTE: Si forniscono, per quantità adeguate, in colori diversi e con inserti a misura in acciaio, in ottone, in acciaio inox.
Fornitura standard con tappo colore nero. Sono disponibili anche tappi in altri colori, forniti smontati. Per quantità adeguate il tappo può essere personalizzato con marchi e/o simboli grafici.

Materiale: Tecnopolimero nero, finitura opaca.
Black thermoplastic, mat.
Plastique polyamide noir surface mate.

Colori disponibili: Nero RAL 9005
Rosso RAL 3000
Blu RAL 5019
Arancio RAL 2004
Grigio RAL 7035
Giallo RAL 1021

INOX - STAINLESS STEEL

GFX/P

Galletto di fissaggio
Plastic wing nut

Ecrou à oreilles



Perno in acciaio inox filettato.
Threaded stainless steel stud.
Tige filetée en acier inoxydable.

codice	modello	A	B	C	D	L	F	Peso gr.
6365220	GFX/55/P	55	16	28	M 8	20	8	24
6365230	GFX/55/P	55	16	28	M 8	30	8	25
6366215	GFX/70/P	70	20	36	M 10	30	10	43

NOTE: Si forniscono, per quantità adeguate, in colori diversi e con inserti a misura.
Fornitura standard con tappo colore nero.
Sono disponibili anche tappi in altri colori, forniti smontati. Per quantità adeguate il tappo può essere personalizzato con marchi e/o simboli grafici.

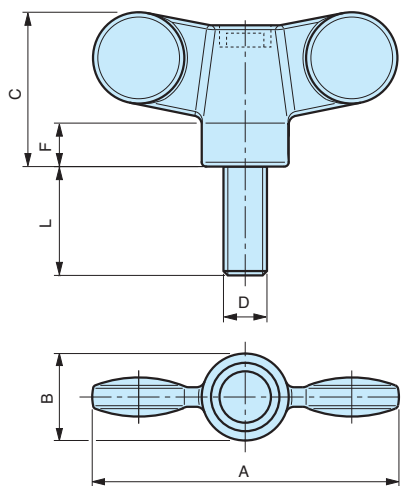
Materiale: Tecnopolimero nero, finitura opaca.
Black thermoplastic, mat.
Plastique polyamide noir surface mate.

Colori disponibili:

Nero	RAL	9005
Rosso	RAL	3000
Blu	RAL	5019
Arancio	RAL	2004
Grigio	RAL	7035
Giallo	RAL	1021



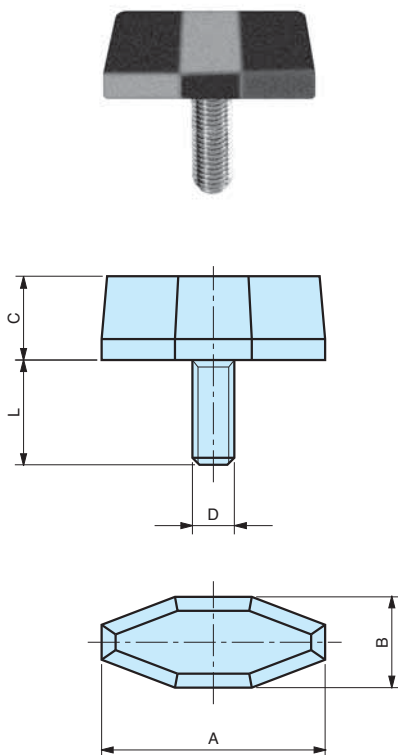
MODELLO DEPOSITATO



GS

Galletto di fissaggio
Plastic wing nut

Vis à oreilles



Perno in acciaio zincato filettato.
Threaded zinc plated steel stud.
Tige filetée en acier zingué.

cod.	modello	A	B	C	D	L	Peso gr.
6378010	GS/22	22	9	10	M4	10	3
6378020	GS/22	22	9	10	M5	10	4
6378025	GS/22	22	9	10	M5	15	4
6378050	GS/26	26	11	11	M5	10	5
6378055	GS/26	26	11	11	M5	15	5
6378070	GS/26	26	11	11	M6	10	6
6378075	GS/26	26	11	11	M6	15	6
6378080	GS/26	26	11	11	M6	20	7
6378085	GS/26	26	11	11	M6	25	7
6378150	GS/32	32	12	12	M6	10	7
6378155	GS/32	32	12	12	M6	15	8
6378160	GS/32	32	12	12	M6	20	8
6378165	GS/32	32	12	12	M6	25	9

NOTE: Si forniscono, per quantità adeguate, in colori diversi e con inserti a misura in acciaio, in ottone, in acciaio inox.

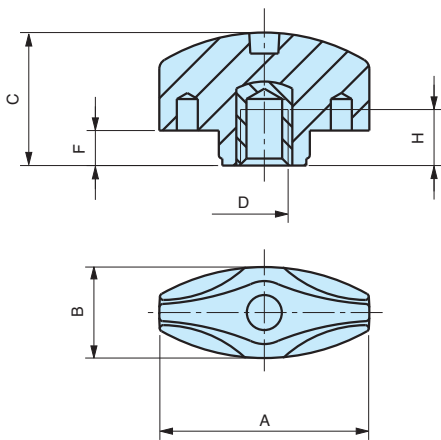
Materiale: Tecnopolimero nero, finitura opaca.
Black thermoplastic, mat.
Plastique polyamide, surface mat.

MODELLO DEPOSITATO

G2/B

Galletto di fissaggio Plastic wing nut

Vis à oreilles



Bussola ottone foro cieco filettato.
Brass insert with tapped blind hole.
Insert en laiton borgne taraudé.

cod.	modello	A	B	C	D	H	F	Peso gr.
7386005	G2/30/B	30	13	19	M4	8	5	5,8
7386010	G2/30/B	30	13	19	M5	8	5	5,4
7386015	G2/30/B	30	13	19	M6	8	5	5,6
7386020	G2/30/B	30	13	19	M8	8	5	6,0

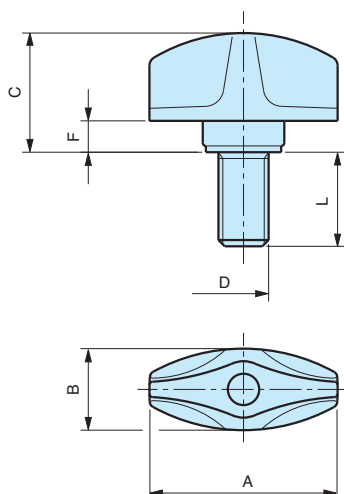
NOTE: Si forniscono, per quantità adeguate, in colori diversi e con inserti a misura in acciaio, in ottone, in acciaio inox.

Materiale: Tecnopolimero nero, finitura opaca.
Black thermoplastic, mat.
Polyamide noir, surface mate.

G2/P

Galletto di fissaggio Plastic wing nut

Vis à oreilles



Perno in acciaio zincato filettato.
Threaded zinc plated steel stud.
Tige filetée en acier zingué.

cod.	modello	A	B	C	D	L	F	Peso gr.
7387010	G2/30/P	30	13	19	M4	15	5	5,4
7387015	G2/30/P	30	13	19	M4	20	5	5,4
7387030	G2/30/P	30	13	19	M5	15	5	6,4
7387040	G2/30/P	30	13	19	M5	25	5	7,6
7387050	G2/30/P	30	13	19	M5	30	5	9,4
7387070	G2/30/P	30	13	19	M6	15	5	8
7387080	G2/30/P	30	13	19	M6	25	5	9,8
7387085	G2/30/P	30	13	19	M6	30	5	10,0
7387095	G2/30/P	30	13	19	M6	40	5	12,2
7387110	G2/30/P	30	13	19	M8	10	5	12,5
7387115	G2/30/P	30	13	19	M8	15	5	11,4
7387120	G2/30/P	30	13	19	M8	20	5	13,6
7387130	G2/30/P	30	13	19	M8	30	5	16,6
7387140	G2/30/P	30	13	19	M8	40	5	19,8

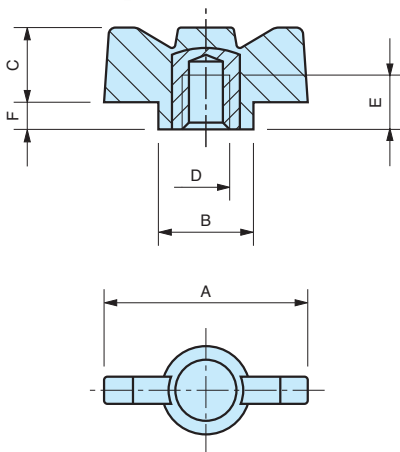
NOTE: Si forniscono, per quantità adeguate, in colori diversi e con inserti a misura in acciaio, in ottone, in acciaio inox.

Materiale: Tecnopolimero nero, finitura opaca.
Black thermoplastic, mat.
Polyamide noir, surface mate.

GB

Galletto di fissaggio Plastic wing nut

Ecrou à oreilles



Bussola ottone foro cieco filettato.
Brass insert with tapped blind hole.
Insert en laiton borgne taraudé.

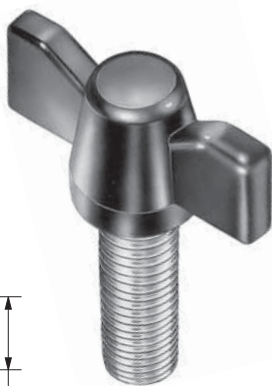
cod.	modello	A	B	C	E	F	D	Peso gr.
7318005	GB/30	30	13	11	9	4	M4	5
7318010	GB/30	30	13	11	9	4	M5	5
7318015	GB/30	30	13	11	9	4	M6	5
7318020	GB/30	30	13	11	9	4	M8	6

Materiale: Tecnopolimero nero.
Black thermoplastic.
Plastique polyamide.

GP

Galletto di fissaggio Plastic wing nut

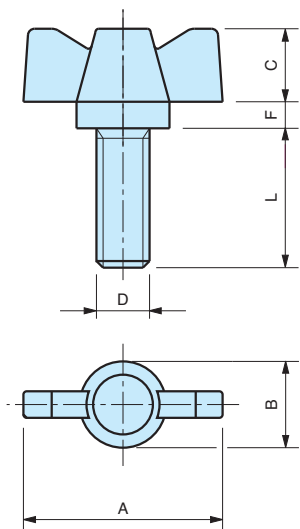
Vis à oreilles



Perno in acciaio zincato filettato.
Threaded zinc plated steel stud.
Tige filetée en acier zingué.

cod.	modello	A	B	C	F	D	L	Peso gr.
7116006	GP/30	30	13	11	4	M4	15	5
7116007	GP/30	30	13	11	4	M5	15	6
7116003	GP/30	30	13	11	4	M6	15	8
7116004	GP/30	30	13	11	4	M6	25	9
7116001	GP/30	30	13	11	4	M8	15	11
7116002	GP/30	30	13	11	4	M8	25	12

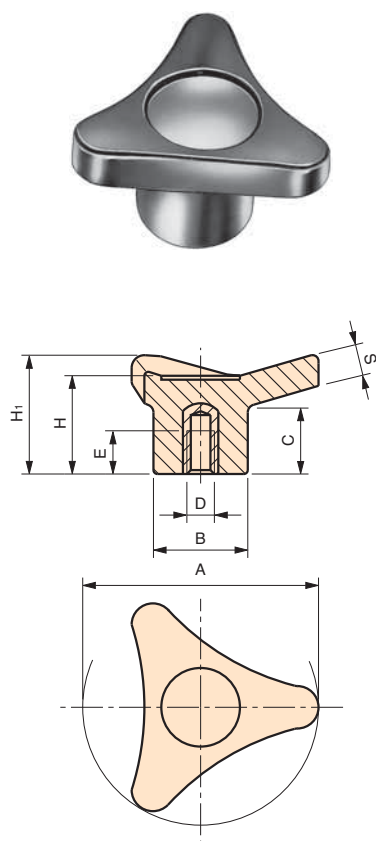
Materiale: Tecnopolimero nero.
Black thermoplastic.
Plastique polyamide.



3P/B

Volantino a tre punte Three lobe-knob

Petit volant à trois lobes



Bussola ottone foro cieco filettato.
Brass insert with tapped blind hole.
Insert en laiton borgne taraudé.

cod.	modello	A	B	H ₁	H	C	S	D	E	Peso gr.
6111005	3P/34/B	34	17	22	20	12	7	M 5	9	11
6111010	3P/34/B	34	17	22	20	12	7	M 6	9	11
6111015	3P/34/B	34	17	22	20	12	7	M 8	9	12
6111020	3P/45/B	45	25	30	27	18	8,5	M 6	13	26
6111025	3P/45/B	45	25	30	27	18	8,5	M 8	15	27
6111030	3P/45/B	45	25	30	27	18	8,5	M 10	16	28
6111035	3P/65/B	65	30	39	36	25	10	M 8	15	51
6111040	3P/65/B	65	30	39	36	25	10	M 10	16	51
6111045	3P/65/B	65	30	39	36	25	10	M 12	18	56
6111050	3P/85/B	85	35	48	43	30	12	M 8	15	89
6111055	3P/85/B	85	35	48	43	30	12	M 10	16	89
6111060	3P/85/B	85	35	48	43	30	12	M 12	18	94
6111065	3P/85/B	85	35	48	43	30	12	M 16	20	100

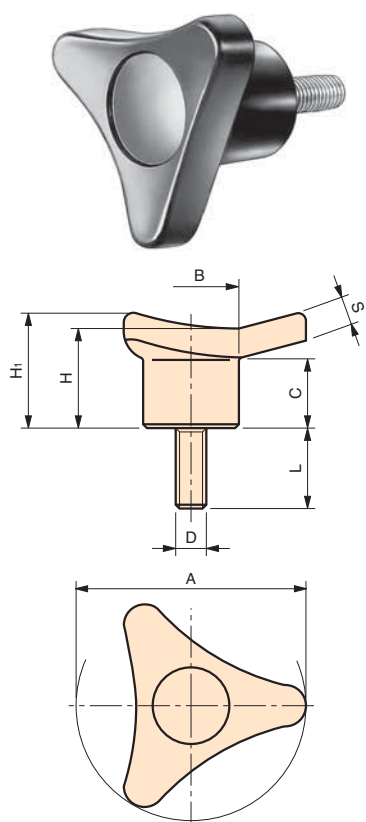
NOTE: Si forniscono, per quantità adeguate, in colori diversi e con inserti a misura in acciaio, in ottone, in acciaio inox.

Materiale: Duroplasto nero.
Black phenolic plastic.
Duroplast noir.

3P/P

Volantino a tre punte Three lobe-knob

Petit volant à trois lobes



Perno in acciaio zincato filettato.
Threaded zinc plated steel stud.

Tige filetée en acier zingué.

cod.	modello	A	B	H ₁	H	C	S	D	L	Peso gr.
6111005	3P/34/P	34	17	22	20	12	7	M 6	15	14
6111010	3P/34/P	34	17	22	20	12	7	M 6	20	15
6111015	3P/34/P	34	17	22	20	12	7	M 6	25	16
6111020	3P/34/P	34	17	22	20	12	7	M 6	30	17
6111025	3P/34/P	34	17	22	20	12	7	M 8	15	18
6111030	3P/34/P	34	17	22	20	12	7	M 8	20	19
6111035	3P/34/P	34	17	22	20	12	7	M 8	25	20
6111040	3P/45/P	45	25	30	27	18	8,5	M 8	20	35
6111045	3P/45/P	45	25	30	27	18	8,5	M 8	30	37
6111050	3P/45/P	45	25	30	27	18	8,5	M 8	40	41
6111055	3P/45/P	45	25	30	27	18	8,5	M 10	30	46
6111060	3P/65/P	65	30	39	36	25	10	M 8	40	65
6111065	3P/65/P	65	30	39	36	25	10	M 10	30	71
6111070	3P/85/P	85	35	48	43	30	12	M 10	15	111
6111075	3P/85/P	85	35	48	43	30	12	M 12	20	124
6111080	3P/85/P	85	35	48	43	30	12	M 12	35	130

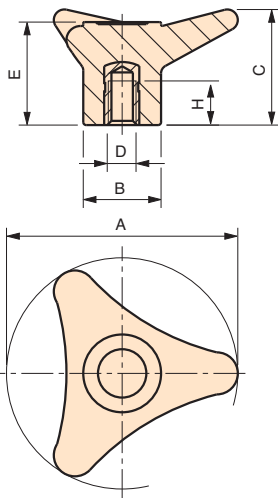
NOTE: Si forniscono, per quantità adeguate, in colori diversi e con inserti a misura in acciaio, in ottone, in acciaio inox.

Materiale: Duroplasto nero.
Black phenolic plastic.
Duroplast noir.

3P/B

Volantino a tre punte Three lobe-knob

Volant à trois lobes



Bussola ottone foro cieco filettato.
Brass insert with tapped blind hole.
Insert en laiton borgne taraudé.

cod.	modello	A	D	C	H	E	B	Peso gr.
6111070	3P/110/B	110	M 8	55	21	49	37	153
6111075	3P/110/B	110	M 10	55	21	49	37	147
6111080	3P/110/B	110	M 12	55	21	49	37	151
6111085	3P/110/B	110	M 14	55	21	49	37	156
6111090	3P/110/B	110	M 16	55	21	49	37	157

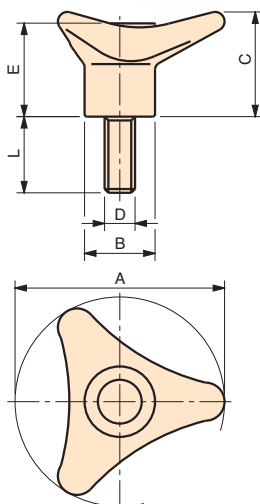
NOTE: Si forniscono, per quantità adeguate, in colori diversi e con inserti a misura in acciaio, in ottone, in acciaio inox.

Materiale: Duroplasto nero.
Black phenolic plastic.
Duroplast noir.

3P/P

Volantino a tre punte Three lobe-knob

Volant à trois lobes



Perno in acciaio zincato filettato.
Threaded zinc plated steel stud.
Tige filetée en acier zingué.

cod.	modello	A	C	E	B	D	L	Peso gr.
6110090	3P/110/P	110	55	49	37	M12	50	197

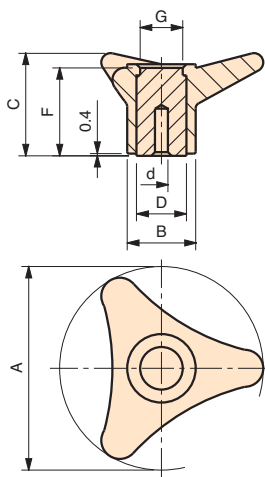
NOTE: Si forniscono, per quantità adeguate, in colori diversi e con inserti a misura in acciaio, in ottone, in acciaio inox.

Materiale: Duroplasto nero.
Black phenolic plastic.
Duroplast noir.

3P/A

Volantino a tre punte Three lobe-knob

Volant à trois lobes



Mozzo in acciaio zincato affiorante superiormente.
Zinc plated steel hub.
Moyeu en acier traversant zingué.

cod.	modello	A	B	C	F	D	d	G	Peso gr.
6111100	3P/110/A	110	37	55	48	26	8	23	287

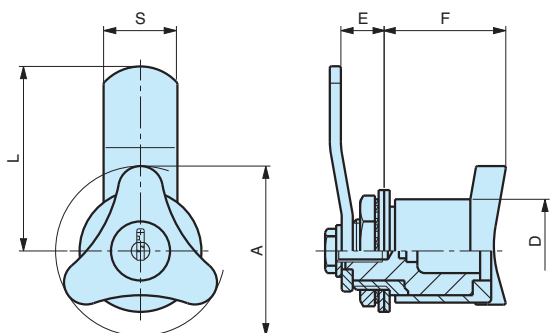
NOTE: Il mozzo affiorante è stato creato per lavorazioni speciali tipo fori passanti quadri oppure tondi, fori passanti filettati.
Foro cieco di invito che può essere allargato alla misura desiderata.
Si forniscono, per quantità adeguate, i volantini con mozzo forato a misura.

Materiale: Duroplasto nero.
Black phenolic plastic.
Duroplast noir.

3P/CH

Volantino a tre punte Three lobe-knob

Volant à trois lobes



Serratura incorporata.
Incorporated key-lock
Serrure incorporée.

cod.	modello	A	D	F	E	L	S	Peso gr.
6156000	3P/45/D	45	29	30	8	52	20	120
6156020	3P/45/S	45	29	30	8	52	20	120
6156040	3P/45/CHD	45	29	30	8	52	20	148
6156060	3P/45/CHS	45	29	30	8	52	20	148
6156080	3P/45/CHDU	45	29	30	8	52	20	148
6156100	3P/45/CHSU	45	29	30	8	52	20	148

NOTE: Specificare sempre se chiusura destra oppure sinistra.
Ø di foratura 20 mm.

CH Serratura incorporata. Movimento a 90°. Chiave con cifratura diversa per ogni serratura.
90° movement. Key with different coding for each key-lock.
Mouvement à 90° avec clé différente.

CHU Serratura incorporata. Movimento a 90°. Chiave con cifratura uguale per ogni serratura.
90° movement. Key with the same coding for each key-lock.
Mouvement à 90° avec clé universelle.

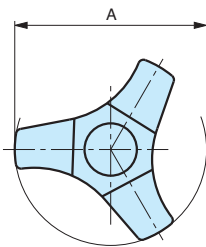
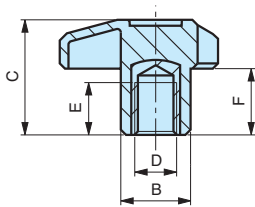
D-S Senza serratura. Movimento a 90°.
No key-lock. 90° movement.
Sens de fermeture sans clé.

Materiale: Tecnopolimero nero, finitura opaca.
Black thermoplastic, mat.
Plastique polyamide, surface mat.

V3/B

Volantino a tre punte Three lobe-knob

Petit volant à trois lobes



Bussola ottone foro cieco filettato.
Brass insert with tapped blind hole.
Insert en laiton borgne taraudé.

cod.	modello	A	B	C	F	D	E	Peso gr.
7385005	V3/45/B	45	18	27	16	M 6	14	13,8
7385010	V3/45/B	45	18	27	16	M 8	14	15,6
7385015	V3/45/B	45	18	27	16	M10	14	17,2
7385030	V3/55/B	55	20	33	19	M 8	14	22,8
7385035	V3/55/B	55	20	33	19	M10	14	23,4
7385040	V3/55/B	55	20	33	19	M12	14	25,6

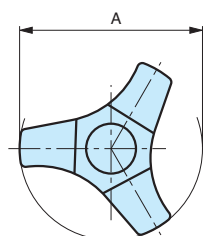
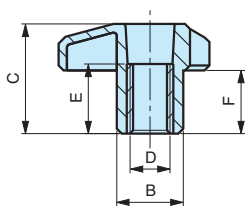
NOTE: Si forniscono, per quantità adeguate, in colori diversi e con inserti a misura in acciaio, in ottone, in acciaio inox.

Materiale: Tecnopolimero nero, finitura opaca.
Black thermoplastic, mat.
Polyamide noir, surface mate.

V3/B/FP

Volantino a tre punte Three lobe-knob

Petit volant à trois lobes



Bussola ottone foro passante filettato.
Brass insert with tapped through hole.
Insert en laiton traversant taraudé.

cod.	modello	A	B	C	F	D	E	Peso gr.
7384005	V3/45/B-FP	45	18	27	16	M 6	15	12,4
7384010	V3/45/B-FP	45	18	27	16	M 8	15	13,2
7384015	V3/45/B-FP	45	18	27	16	M10	15	13,2
7384030	V3/55/B-FP	55	20	33	19	M 8	15	18,2
7384035	V3/55/B-FP	55	20	33	19	M10	15	19,2
7384040	V3/55/B-FP	55	20	33	19	M12	15	19,8

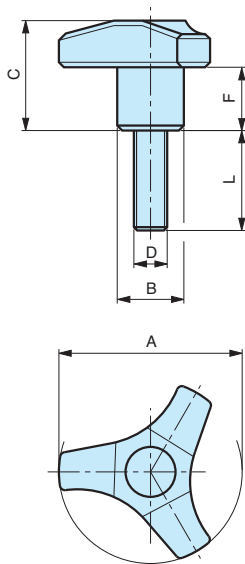
NOTE: Si forniscono, per quantità adeguate, in colori diversi e con inserti a misura in acciaio, in ottone, in acciaio inox.

Materiale: Tecnopolimero nero, finitura opaca.
Black thermoplastic, mat.
Polyamide noir, surface mate.

V3/P

Volantino a tre punte Three lobe-knob

Petit volant à trois lobes



Perno in acciaio zincato filettato.
Threaded zinc plated steel stud.
Tige filetée en acier zingué.

cod.	modello	A	B	C	F	D	L	Peso gr.
7383015	V3/45/P	45	18	27	16	M 6	15	15,4
7383020	V3/45/P	45	18	27	16	M 6	20	16,4
7383025	V3/45/P	45	18	27	16	M 6	25	17
7383030	V3/45/P	45	18	27	16	M 6	30	17,4
7383035	V3/45/P	45	18	27	16	M 6	40	20
7383040	V3/45/P	45	18	27	16	M 8	15	19
7383045	V3/45/P	45	18	27	16	M 8	20	20,2
7383055	V3/45/P	45	18	27	16	M 8	30	23,6
7383060	V3/45/P	45	18	27	16	M 8	40	27
7383070	V3/45/P	45	18	27	16	M10	20	30
7383080	V3/45/P	45	18	27	16	M10	30	35
7383160	V3/55/P	55	20	33	19	M 6	20	22,8
7383165	V3/55/P	55	20	33	19	M 6	25	23,6
7383175	V3/55/P	55	20	33	19	M 6	40	26,8
7383185	V3/55/P	55	20	33	19	M 8	20	27,2
7383195	V3/55/P	55	20	33	19	M 8	30	30
7383200	V3/55/P	55	20	33	19	M 8	40	33,4
7383205	V3/55/P	55	20	33	19	M10	15	32
7383210	V3/55/P	55	20	33	19	M10	20	36,4
7383220	V3/55/P	55	20	33	19	M10	30	42

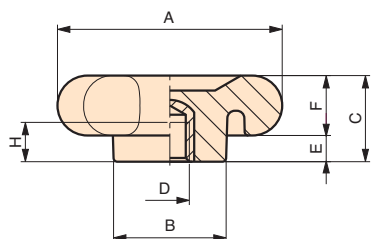
NOTE: Si forniscono, per quantità adeguate, in colori diversi e con inserti a misura in acciaio, in ottone, in acciaio inox.

Materiale: Tecnopolimero nero, finitura opaca.
Black thermoplastic, mat.
Polyamide noir, surface mate.

VB

Volantino a cinque lobi Five lobe-knob

Volant à cinq lobes



Bussola ottone foro cieco filettato.
Brass insert with tapped blind hole.
Insert en laiton borgne taraudé.

cod.	modello	A	C	B	D	H	E	F	Peso gr.
6117005	VB/75	75	28	34	M10	13	8	20	88
6117010	VB/75	75	28	34	M12	13	8	20	89

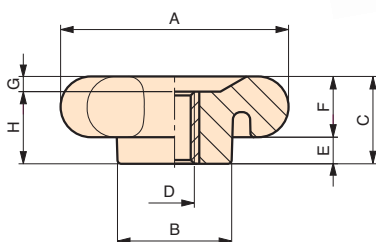
NOTE: Si forniscono, per quantità adeguate, in colori diversi e con inserti a misura in acciaio, in ottone, in acciaio inox.

Materiale: Duroplasto nero.
Black phenolic plastic.
Duroplast noir.

VB/FP

Volantino a cinque lobi Five lobe-knob

Volant à cinq lobes



Bussola ottone foro passante filettato.
Brass insert with tapped through hole.
Insert en laiton traversant taraudé.

cod.	modello	A	C	B	D	H	G	E	F	Peso gr.
6119005	VB/75/FP	75	28	34	M10	21	7	8	20	90

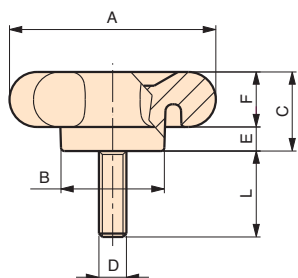
NOTE: Si forniscono, per quantità adeguate, in colori diversi e con inserti a misura in acciaio, in ottone, in acciaio inox.

Materiale: Duroplasto nero.
Black phenolic plastic.
Duroplast noir.

VP

Volantino a cinque lobi Five lobe-knob

Volant à cinq lobes



Perno in acciaio zincato filettato.
Threaded zinc plated steel stud.
Tige filetée en acier zingué.

cod.	modello	A	C	B	D	L	E	F	Peso gr.
6118005	VP/75	75	28	34	M10	60	8	20	126
6118010	VP/75	75	28	34	M12	60	8	20	139

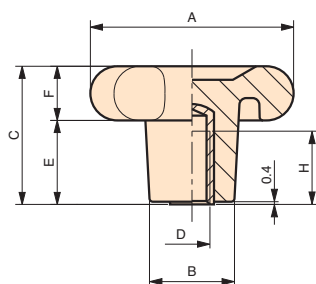
NOTE: Si forniscono, per quantità adeguate, in colori diversi e con inserti a misura in acciaio, in ottone, in acciaio inox.

Materiale: Duroplasto nero.
Black phenolic plastic.
Duroplast noir.

VUB

Volantino allungato a cinque lobi Five lobe-knob

Volant allongé à cinq lobes



Bussola ottone foro cieco filettato.
Brass insert with tapped blind hole.
Insert en laiton borgne taraudé.

cod.	modello	A	B	C	D	E	F	H	Peso gr.
6120000	VUB/60	60	25	40	M 8	24	16	18	59
6120002	VUB/60	60	25	40	M 10	24	16	18	60
6120005	VUB/75	75	30	48	M 10	28	20	21	112
6120010	VUB/75	75	30	48	M 12	28	20	21	118
6120015	VUB/90	90	35	52	M 12	32	20	21	160
6120020	VUB/90	90	35	52	M 14	32	20	21	159

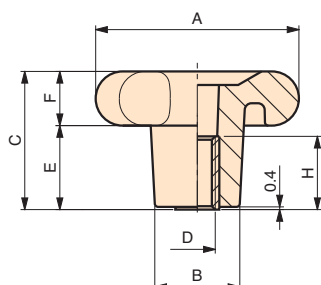
NOTE: Si forniscono, per quantità adeguate, in colori diversi e con inserti a misura in acciaio, in ottone, in acciaio inox.

Materiale: Duroplasto nero.
Black phenolic plastic.
Duroplast noir.

VUB/FP

Volantino allungato a cinque lobi Five lobe-knob

Volant allongé à cinq lobes



Bussola ottone foro passante filettato.
Brass insert with tapped through hole.
Insert en laiton traversant taraudé.

cod.	modello	A	B	C	D	E	F	H	Peso gr.
6122005	VUB/75/FP	75	30	48	M10	28	20	21	109
6122010	VUB/75/FP	75	30	48	M12	28	20	21	110
6122015	VUB/90/FP	90	35	52	M12	32	20	21	158
6122020	VUB/90/FP	90	35	52	M14	32	20	21	153

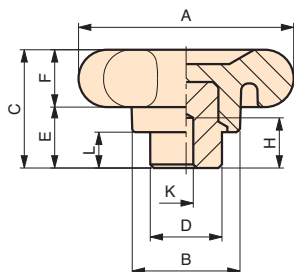
NOTE: Si forniscono, per quantità adeguate, in colori diversi e con inserti a misura in acciaio, in ottone, in acciaio inox.

Materiale: Duroplasto nero.
Black phenolic plastic.
Duroplast noir.

VU

Volantino a cinque lobi Five lobe-knob

Volant à cinq lobes



Mozzo sporgente in acciaio zincato.
Zinc plated steel hub.
Moyeu saillant en acier zingué.

cod.	modello	A	B	C	D	E	F	H	K	L	Peso gr.
6124000	VU/60	60	30	32	20	16	16	15	4	10	88
6124005	VU/75	75	34	39	24	19	20	22	4	11	150
6124010	VU/90	90	44	42	32	22	20	25	6	12	253

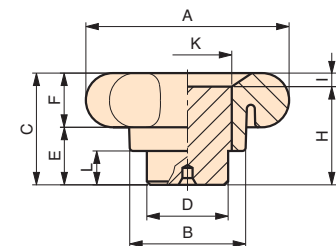
NOTE: Foro cieco di invito che può essere allargato alla misura desiderata.
Si forniscono, per quantità adeguate, i volantini con mozzo forato a misura.

Materiale: Duroplasto nero.
Black phenolic plastic.
Duroplast noir.

VUA

Volantino a cinque lobi Five lobe-knob

Volant à cinq lobes



Mozzo in acciaio zincato affiorante superiormente.
Zinc plated steel hub.
Moyeu traversant en acier zingué.

cod.	modello	A	B	C	D	E	F	H	I	K	L	Peso gr.
6126000	VUA/60	60	34	32	24	16	16	26	6	26	10	130
6126005	VUA/75	75	40	40	30	20	20	32,5	7,5	32	12	260
6126010	VUA/90	90	47	44	35	24	20	36,7	8,3	40	14	391

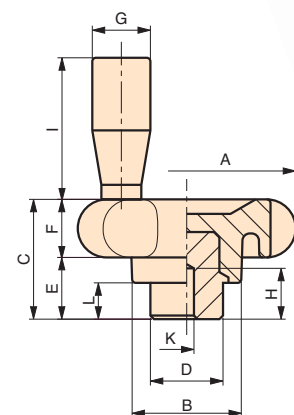
NOTE: Il mozzo affiorante è stato creato per lavorazioni speciali tipo fori passanti quadri oppure tondi, fori passanti filettati.
Si forniscono, per quantità adeguate, i volantini con mozzo forato a misura.

Materiale: Duroplasto nero.
Black phenolic plastic.
Duroplast noir.

VUM

Volantino a cinque lobi Five lobe-knob

Volant à cinq lobes



Manopola girevole su perno acciaio. Mozzo sporgente in acciaio zincato.
Revolving handle. Zinc plated steel hub.
Poignée libre sur axe acier. Moyeu saillant en acier zingué.

cod.	modello	A	B	C	D	E	F	G	H	I	K	L	Peso gr.
6125005	VUM/75	75	34	39	24	19	20	17	22	43	4	11	172
6125010	VUM/90	90	44	42	32	22	20	17	25	43	6	12	177

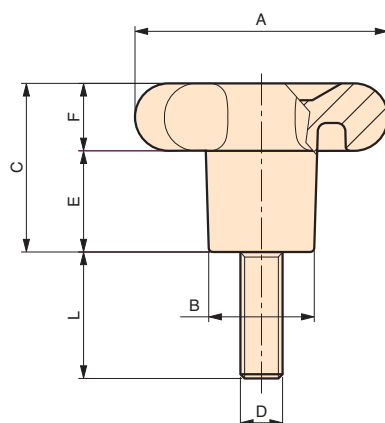
NOTE: Si forniscono, per quantità adeguate, in colori diversi e con inserti a misura in acciaio, in ottone, in acciaio inox.

Materiale: Duroplasto nero.
Black phenolic plastic.
Duroplast noir.

VUP

Volantino allungato a cinque lobi Five lobe-knob

Volant allongé à cinq lobes



Perno in acciaio zincato filettato.
Threaded zinc plated steel stud.
Tige filetée en acier zingué.

cod.	modello	A	B	C	E	F	D	L	Peso gr.
6121000	VUP/60	60	25	40	24	16	M 8	30	68
6121002	VUP/60	60	25	40	24	16	M 10	30	78
6121003	VUP/75	75	30	48	28	20	M 10	30	138
6121005	VUP/75	75	30	48	28	20	M 10	60	151
6121010	VUP/75	75	30	48	28	20	M 10	70	155
6121012	VUP/75	75	30	48	28	20	M 12	30	147
6121015	VUP/75	75	30	48	28	20	M 12	60	160
6121020	VUP/75	75	30	48	28	20	M 12	70	172
6121025	VUP/90	90	35	52	32	20	M 12	60	224
6121030	VUP/90	90	35	52	32	20	M 12	70	230
6121035	VUP/90	90	35	52	32	20	M 14	60	278
6121040	VUP/90	90	35	52	32	20	M 14	70	284

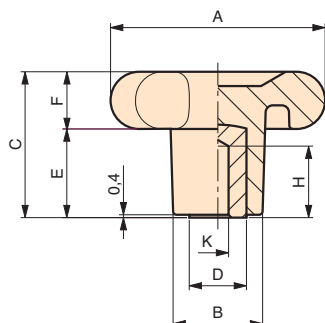
NOTE: Si forniscono, per quantità adeguate, in colori diversi e con inserti a misura in acciaio, in ottone, in acciaio inox.

Materiale: Duroplasto nero.
Black phenolic plastic.
Duroplast noir.

VUC

Volantino allungato a cinque lobi Five lobe-knob

Volant allongé à cinq lobes



Bussola acciaio foro cieco liscio.
Zinc plated steel insert with blind hole.
Insert acier alesage borgne.

cod.	modello	A	B	C	D	E	F	H	K	Peso gr.
6123000	VUC/60	60	25	40	16	24	16	20	6	81
6123005	VUC/75	75	30	48	18	28	20	28	8	141
6123010	VUC/90	90	35	52	22	32	20	31	10	210

NOTE: Si forniscono, per quantità adeguate, in colori diversi e con inserti a misura in acciaio, in ottone, in acciaio inox.

Materiale: Duroplasto nero.
Black phenolic plastic.
Duroplast noir.

LMA

Volantino a sei lobi Six lobe-knob

Volant à six lobes

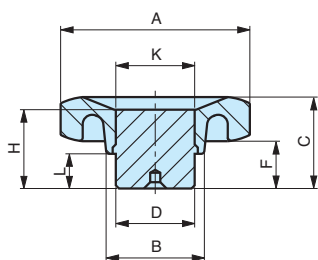


Mozzo in acciaio zincato affiorante superiormente.
Zinc plated steel hub.
Moyeu en acier traversant zingué.

cod.	modello	A	B	C	F	D	L	H	K	Peso gr.
6377005	LMA/50	50	25	25	13	20	10	22	20	72
6377015	LMA/60	60	30	29	14	25	11	25	25	121
6377025	LMA/70	70	36	32	16	30	12	27	30	188

NOTE: Il mozzo affiorante è stato creato per lavorazioni speciali tipo fori passanti quadri oppure tondi, fori passanti filettati.
Foro cieco di invito che può essere allargato alla misura desiderata.
Si forniscono, per quantità adeguate, i volantini con mozzo forato a misura.
Si forniscono, per quantità adeguate, in colori diversi.

Materiale: Tecnopolimero nero, finitura opaca.
Black thermoplastic, mat.
Plastique polyamide, surface mat.



MODELLO DEPOSITATO

ZBI

Volantino zigrinato con indice Bouton moleté Index knurled knob

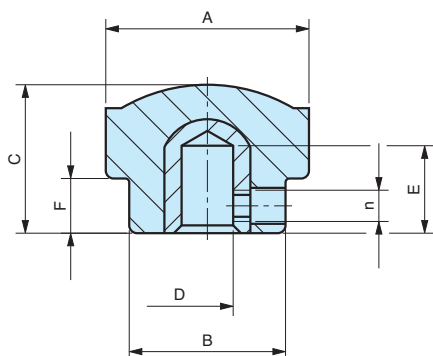


Bussola ottone foro liscio e grano laterale in acciaio filettato.
Bored brass insert.
Insert en laiton borgne percé avec blocage latéral par vis acier.

cod.	modello	A	B	C	E	F	D	n	Peso gr.
6328200	ZBI/24	24	15	14	9	6	∅6	M4	9

NOTE: A richiesta, per quantitativi adeguati, si possono eseguire altri simboli grafici e fornire in colori diversi.
Grano in acciaio filettato M4.

Materiale: Tecnopolimero nero, finitura opaca.
Black thermoplastic, mat.
Plastique polyamide, surface mat.



VBI

Volantino a sei lobi Six lobe skirted knob

Volant à six lobes



Bussola ottone foro liscio e grano laterale in acciaio filettato.

Base ad indice in tecnopolimero nero.

Brass insert with blind hole. Skirt with indexing point.

Insert en laiton borgne percé avec blocage latéral par vis acier. Base avec index.

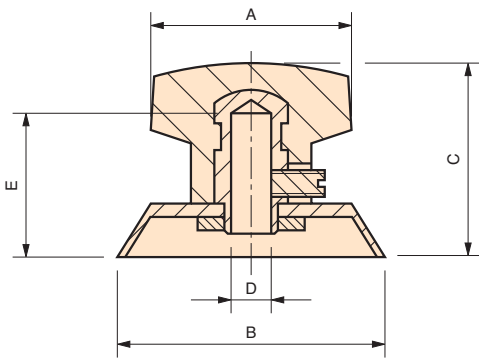
cod.	modello	B	A	D	C	E	Peso gr.
6129005	VBI/30	30	20	∅ 6	18	15	11
6129010	VBI/40	40	30	∅ 6	27	21	27
6129015	VBI/48	48	40	∅ 6	30	22	49
6129020	VBI/48	48	40	∅ 8	30	24	45
6129025	VBI/56	56	50	∅ 6	35	22	66
6129030	VBI/56	56	50	∅ 8	35	24	60
6129035	VBI/90	90	70	∅ 6	50	30	118
6129040	VBI/90	90	70	∅ 8	50	30	122
6129045	VBI/90	90	70	∅12	50	30	131

NOTE: Grano laterale M4 in acciaio filettato, testa a brugola.

Materiale: Duroplasto nero.

Black phenolic plastic knob and black thermoplastic skirt.

Duroplast noir.



MRI

Manopola di regolazione con indice Index knob for graduated dials

Bouton de réglage



Foro liscio e grano in acciaio filettato.

Blind hole with grub screw.

Blocage latéral par vis acier.

cod.	modello	C	E	D	A	B	F	H	Peso gr.
6130005	MRI/35	35	25	∅ 6	20	15	18	15	9
6130010	MRI/45	45	30	∅ 8	25	20	21,5	17	14
6130015	MRI/55	55	35	∅10	30	25	25	19	22
6130020	MRI/55	55	35	∅ 6	30	25	25	19	23

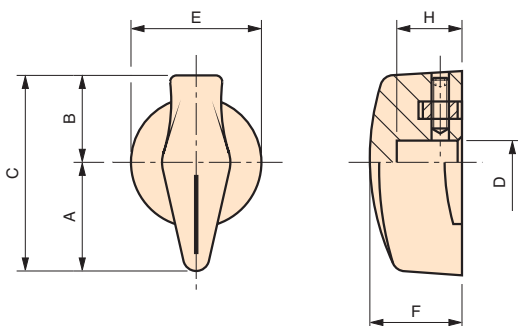
NOTE: Grano in acciaio filettato M4, testa a brugola.

Si forniscono, per quantità adeguate, in colori diversi e con inserti a misura.

Materiale: Duroplasto nero.

Black phenolic plastic.

Duroplast noir.



MZN

Manopola zigrinata Knurled control knob

Bouton moleté

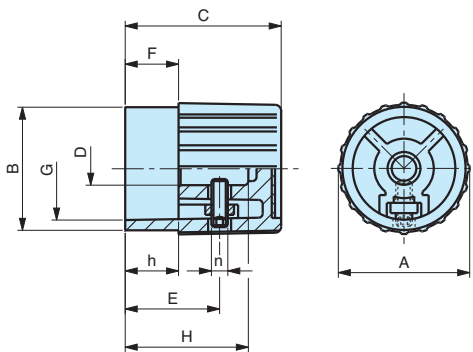


Foro liscio e grano in acciaio filettato.
Tapped hole with grub screw for mounting to shaft.
Blocage latéral par vis acier.

cod.	modello	A	C	B	F	G	D	H	h	E	n	Peso gr.
6350010	MZN/27	27	30	25	12	22	6	25	12	18	M4	10
6350020	MZN/32	32	38	30	13	25	8	30	13	23	M4	22
6350030	MZN/35	35	45	33	15	28	10	37	15	27	M5	30

NOTE: Dischetto alluminio. Grano in acciaio filettato, testa a brugola.
Si forniscono, per quantità adeguate, in colori diversi.
Aluminium cover disk.
Disque aluminium, vis acier tête fendue.
Coloris divers selon quantité.

Materiale: Tecnopolimero nero, rinforzato con fibre di vetro. Finitura opaca.
Black mat thermoplastic, glass fiber reinforced.
Technopolymère noir mat renforcé fibre de verre.



MODELLO DEPOSITATO

MZI

Manopola zigrinata Knurled control knob

Bouton moleté avec index

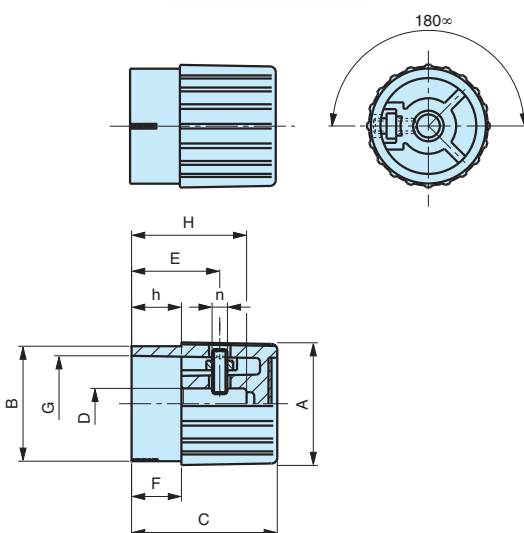


Foro liscio e grano in acciaio filettato. Manopola con indice.
Tapped hole with grub screw. Control knob with indexing point.
Blocage latéral par vis acier. Poignée avec index.

cod.	modello	A	C	B	F	G	D	H	h	E	n	Peso gr.
6350170	MZI/27	27	30	25	12	22	6	25	12	18	M4	12
6350180	MZI/32	32	38	30	13	25	8	30	13	23	M4	22
6350190	MZI/35	35	45	33	15	28	10	37	15	27	M5	30

NOTE: Dischetto alluminio. Grano in acciaio filettato, testa a brugola.
Si forniscono, per quantità adeguate, in colori diversi.
Indice inciso al laser.
Aluminium cover disk.
Disque aluminium, vis acier tête fendue.
Coloris divers selon quantité.

Materiale: Tecnopolimero nero, rinforzato con fibre di vetro. Finitura opaca.
Black mat thermoplastic, glass fiber reinforced.
Technopolymère noir mat renforcé fibre de verre.

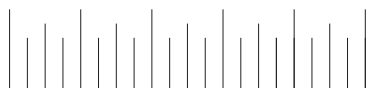
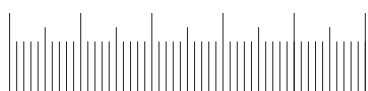
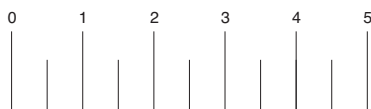


MODELLO DEPOSITATO

Graduazioni Graduations

Graduations

Tipo graduazione.
Examples of graduations.



Sulla manopola zigrinata neutra modello MZN si possono ottenere graduazioni diverse incise al laser, per quantità adeguate da concordare (esempi a fianco).

For certain minimum quantities, the plain version of control knob model MZN is available with different graduation types (see examples at left).

Sur le bouton neutre MZN, il est possible de réaliser diverses graduations (selon quantité). Exemple ci-contre.

MODELLO DEPOSITATO

